



WASHING DISINFECTION CATALOGUE  
washing disinfection machines in the  
hospital sector

---

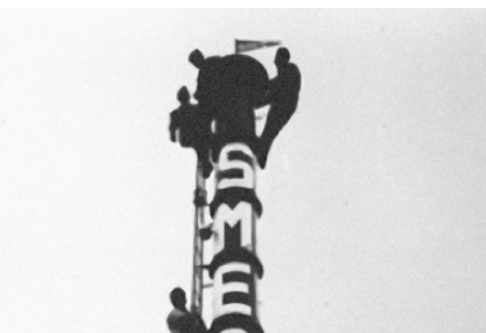






MADE IN ITALY

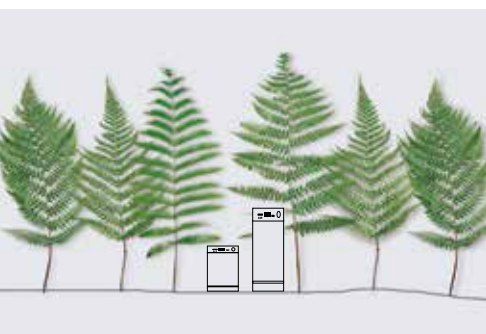
---



4  
The history



8  
Our values



5  
Ecology



6  
Vision&Mission



15  
Basic Line  
WD2145 - WD1160 - WD4060 - WD4190



60  
Water treatment



33  
Professional Line  
WD3060 - WD5090 - WD7000



62  
Detergents and additives

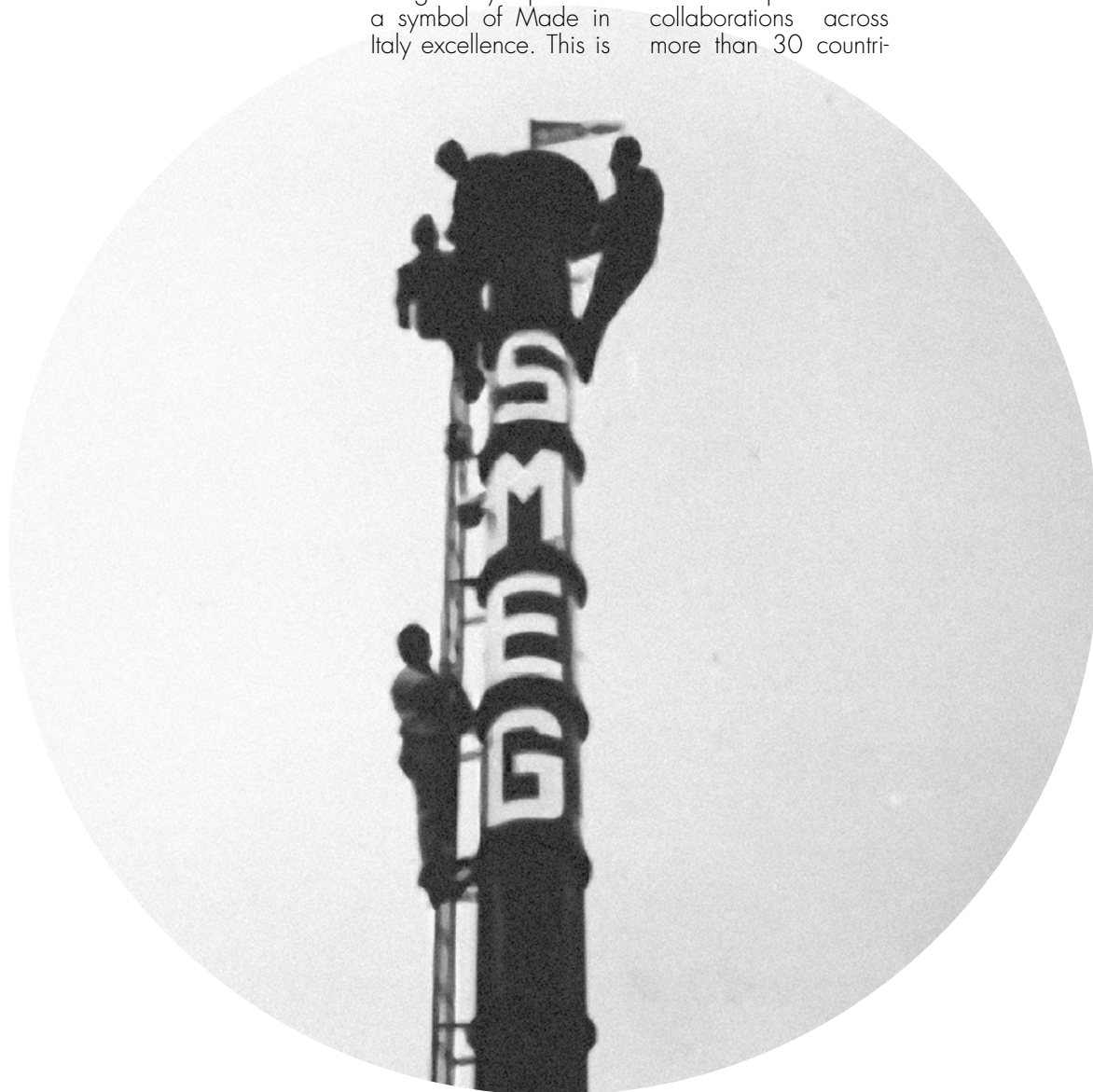
# HISTORY

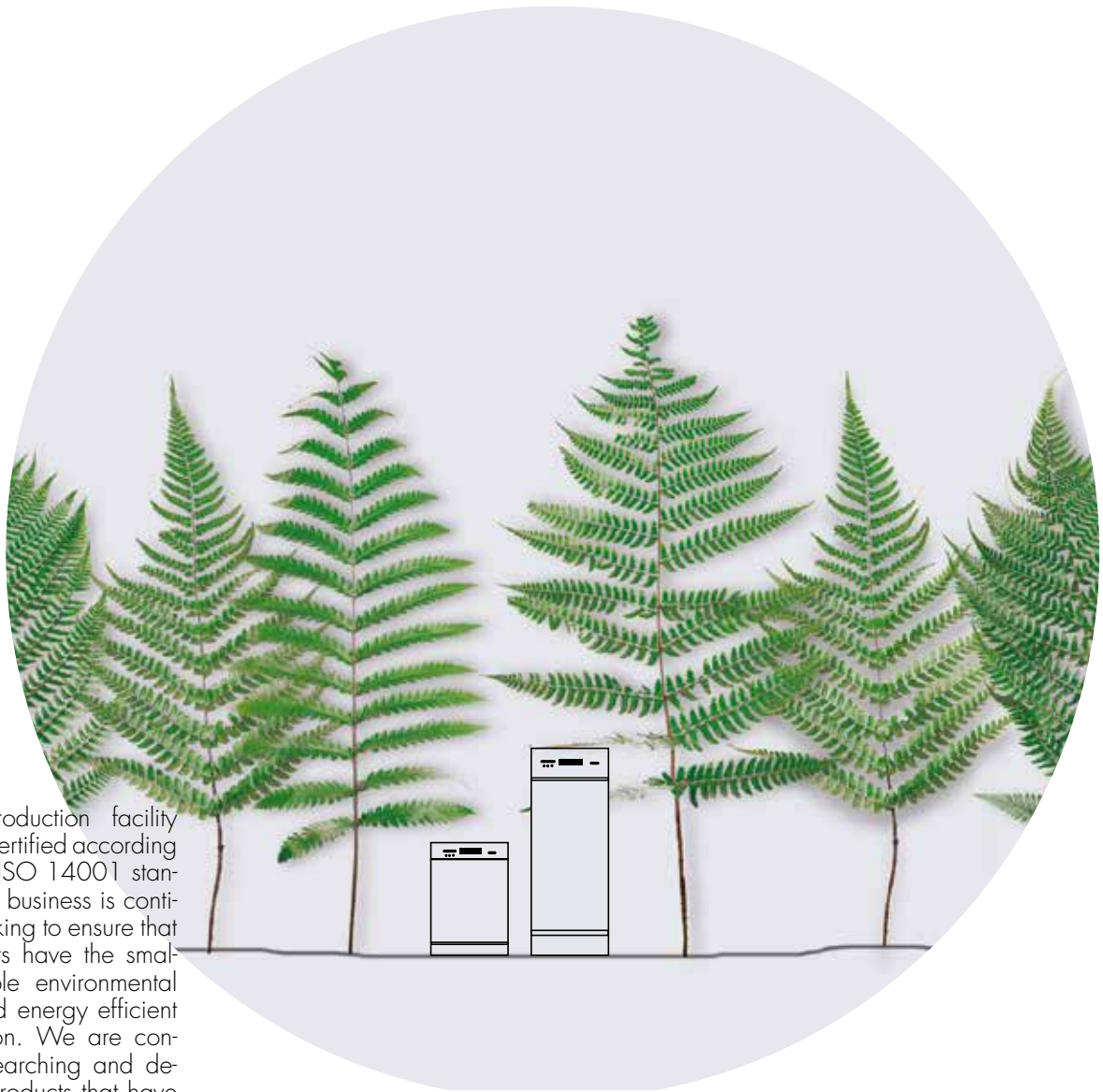
---

Smeg group was founded in 1948 and now has almost 2,000 employees in Guastalla, Italy, with a further 18 offices globally. Established worldwide as a leading manufacturer of domestic and professional equipment, Smeg today represents a symbol of Made in Italy excellence. This is

thanks to constant research and attention to quality, technology and design. For more than 30 years, Smeg Instruments has developed with the same values in the field of medical equipment. Knowledge built up over this time and professional collaborations across more than 30 countri-

es worldwide has allowed us to exceed industry expectations. Smeg Instruments offers the industry advanced technology in hospital sterilisation and disinfection with fully customisable solutions that are efficient, reliable and certifiable.





Smeg's production facility has been certified according to the EN ISO 14001 standards. The business is continually working to ensure that all products have the smallest possible environmental impact and energy efficient consumption. We are constantly researching and developing products that have lower water consumption and can maintain a perfect washing quality for longer. We continually strive for products that use less chemical agents, especially in glassware washers, and we take advantage of the high temperature inside the machine. These key areas of research and development are ongoing and evolving every day.

## ECOLOGY

---

Smeg strives for maximum performance and high standards across all industries however this is especially important when dealing with products bound for the medical industry. Smeg

practitioners have an in-depth knowledge of what is required by such a demanding industry and therefore ensure that every product is perfectly suited to its task. Achieving

incredible results is no easy feat and requires continuous investment and research in the latest technology, inventiveness and creativity.

# VISION

---







# MISSION

---

Excellent raw materials and innovative design techniques have always been at the forefront of Smeg products. We offer an extremely complex and demanding industry a professional solution that guarantees exceptional performance, efficiency, flexibility and reliability.

# OUR VALUES

---

## SERVICE

Through its numerous highly specialised technical assistance centres that are spread all over the national territory and worldwide, Smeg takes care of its customers even during the all life phases of the product: start up and personnel training made by qualified technicians. About Italy, one national number guarantees a qualified support for each demand; about other countries, specialized technicians answer in different languages utilizing last phone and informatics technologies. Trust in Smeg means to have at your disposal an efficient after-sales service which can deliver spare-parts in 24 hours, for a quick solution to every question.

## INNOVATION

The entire collection of Smeg Washer Disinfectors meets all the requirements indicated by the EN15883 standard. Our team of expert designers have developed products alongside those working directly within the sector to create high quality products which excel standards expected in the industry. Supported by the most advanced and modern equipment Smeg continues to collaborate and innovate in partnership with the industry.



#### QUALITY

Due to Smeg's in-depth experience in the field and first-hand experience dealing with medical technology and instruments, Smeg can guarantee impeccable washing and disinfection results. In fact, Smeg possesses ISO9001:2008 and ISO 13485:2012 quality certifications. Alongside this, all our thermal disinfection washers classified as class IIb medical devices are also certified according to the 93/42/CEE and conform to the EN15883 standard.



#### RELIABILITY

The utmost care is taken in choosing the most suitable and best quality raw materials. Smeg continuously makes use of advanced technology to turn these materials into outstanding products, known for their reliability and durability. The entire manufacturing process is overseen by a quality control system and subsequent statistical checks in the laboratory that simulate the use of the machines for ten years.

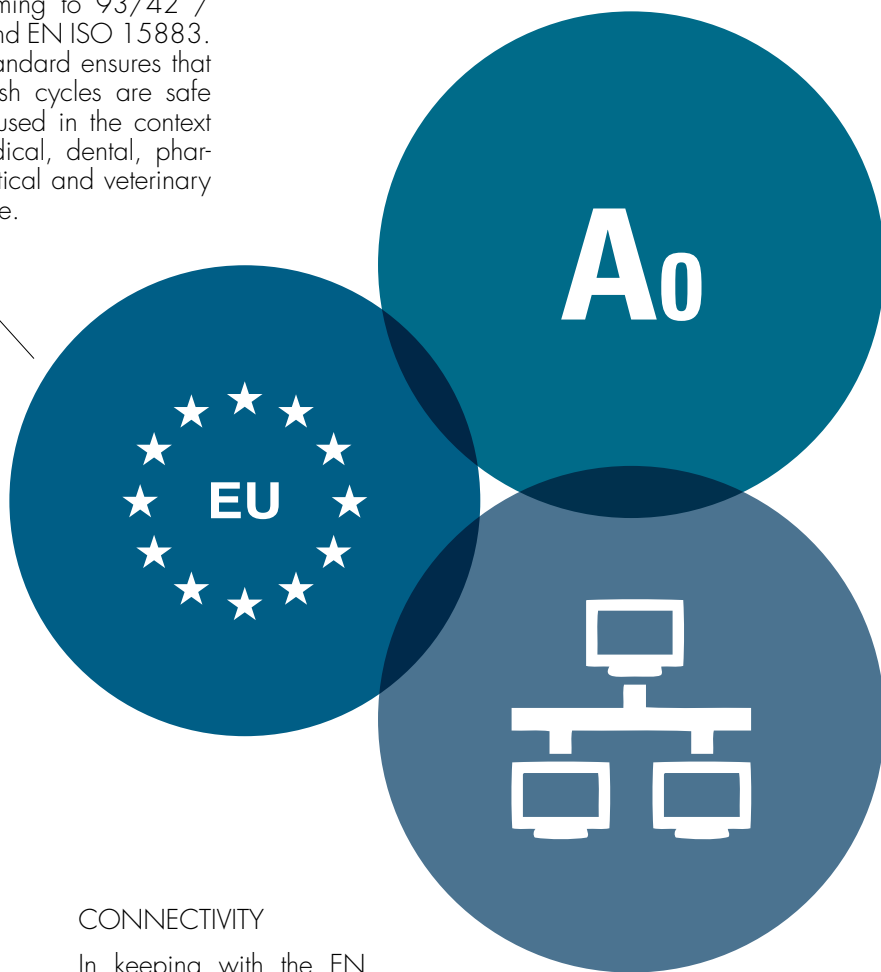
# SAFETY OF RESULTS

## EN ISO 15883

All Smeg washer disinfectors are medical devices conforming to 93/42 / EEC and EN ISO 15883. This standard ensures that all wash cycles are safe when used in the context of medical, dental, pharmaceutical and veterinary practice.

## AO PARAMETER

AO is a numeric value introduced by EN ISO 15883. This standardised the effectiveness of the thermodisinfection process. In essence, the value of AO expresses the degree of "lethality" in seconds. Smeg washer disinfectors offer a wide choice of programs with different thermodisinfection solutions, able to calculate parameter AO in real time directly on a display. If a printer is present, it prints this parameter at the end of the program.



## CONNECTIVITY

In keeping with the EN ISO 15883 standard, it is important that new-generation equipment has capability to communicate relevant performance data. The Smeg WD range is equipped with external access points so that any information regarding washing programs and thermodisinfection performance can be monitored.

# KEY POINTS

## EASY TO USE

Each function of the Smeg washer disinfector is controlled by user-friendly and highly intuitive display.



## FLEXIBILITY

Smeg machines are designed to meet different washing requirements. These include surgical instruments, containers, mininvasive instruments, endoscopy, optics, anaesthesia sets and OP shoes. This is thanks to a wide range of inserts and accessories studied by the R & D department, along with specific wash programs which operate according to the material to be treated.

## SILENT OPERATION

Innovations in Smeg washer disinfectors mean they operate almost silently during each process. This ensures healthy working environments.

# THE RANGE

The WD Series is the result of more than thirty years of experience in the field of washing and thermodisinfection. It combines state-of-the-art technology and design that is totally reliable and guarantees the highest level of performance in compliance with the sector standards, such as EN15883.

The wash-chamber and the closing door are made exclusively of AISI 316L stainless steel with nickel chromium molybdenum, while the external panels are made of AISI 304 stainless steel. The components are made of a plastic material which is heat-resistant and can withstand corrosive substances or organic solvents.

Thanks to a four microprocessor system, it is possible to monitor and record any activity performed by the equipment. Advanced electronics allows users to benefit from a wide choice of programs and store up to 250 executed cycles in a memory buffer. The equipment can display all basic parameters and perform a complete diagnostic thanks to the specially designed management software WVD-TRACE or TRACELOG, unique to the Smeg professional range of washer disinfectors. All the instruments can be equipped with a printer which prints details of every cycle undertaken including the parameter A0 and any notable alarms.

## BASIC

WASHING CHAMBER WITH 8 DIN BASKETS

EASY TOUCH DISPLAY

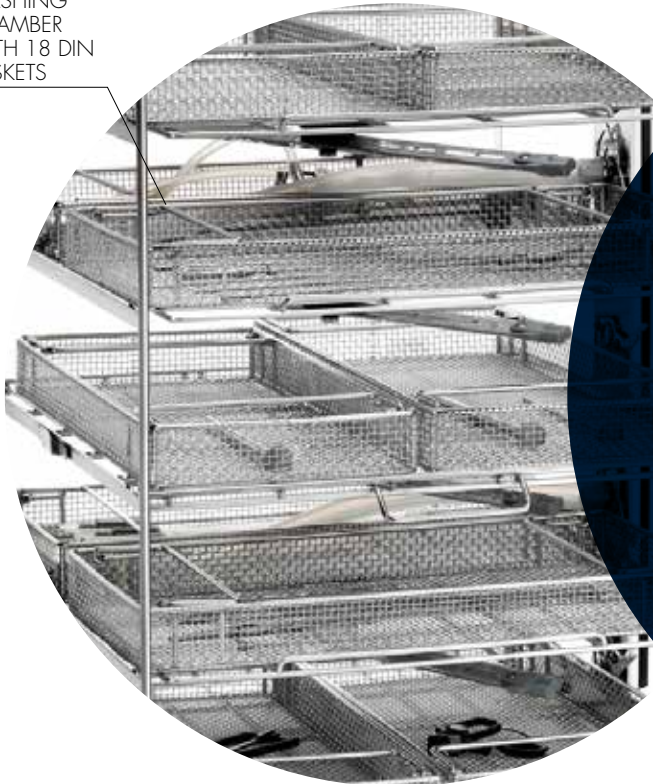


The 60cm and 90cm models offer a washing area of 1m<sup>2</sup> on four levels, equipped with spray arms for each washing level. In large models it is possible to reach a wash area of up to 2m<sup>2</sup>. The equipment performs with high precision in detergent dosing and flowmeter control minimizes waste, significantly reducing environmental impact. With intelligent "management" of electric water heating, Smeg has also achieved a significant reduction in electrical consumption. This is thanks to the in-depth study of washing programs and use of an innovative and efficient forced air drying system (Steam condenser ECOSLIM).

The equipment also benefits from a LAN connection. This allows the upload of control software updates (firmware upload) without having to dismantle components by authorized technical personnel. It also enables users to remotely control in real-time the running state of the thermo-disinfection cycle, alarms and to set up and or modify new washing cycles from a PC. Users have the ability to download and store data regarding the cycles and can in turn verify in real time the parameter A0 obtained.

## PROFESSIONAL

WASHING CHAMBER WITH 18 DIN BASKETS



FULL TOUCH DISPLAY









# BASIC LINE

---

WD2145 - WD1160 - WD4060 - WD4190

## WASHING DISINFECTOR WD2145



WD2145 is a washer disinfector with slim dimensions, designed with two washing levels. The washing chamber measures 380 x 480 x 580mm (105 litres) and has the capability for washing and thermic disinfection (up to 95°C).



### D-ZCS1

WASHING SOLUTION FOR OP SHOES (D-ZCS1 TROLLEY FOR A MAXIMUM OF 3 PAIRS OF OP SHOES)



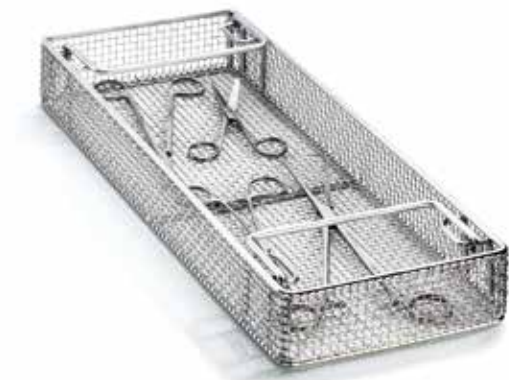
### D-ZCS2

WASHING SOLUTION FOR OP SHOES (D-ZCS2 TROLLEY FOR A MAXIMUM OF 4 PAIRS OF OP SHOES)



### CSK1/3

WASHING SOLUTION FOR SURGICAL INSTRUMENTS (CSK1/3 BASKET TO INSERT IN THE BASIC TROLLEYS D-CS1 AND D-CS2 WITH OTHER BASKETS AS FOR EXAMPLE D-CM1 AND D-SV)



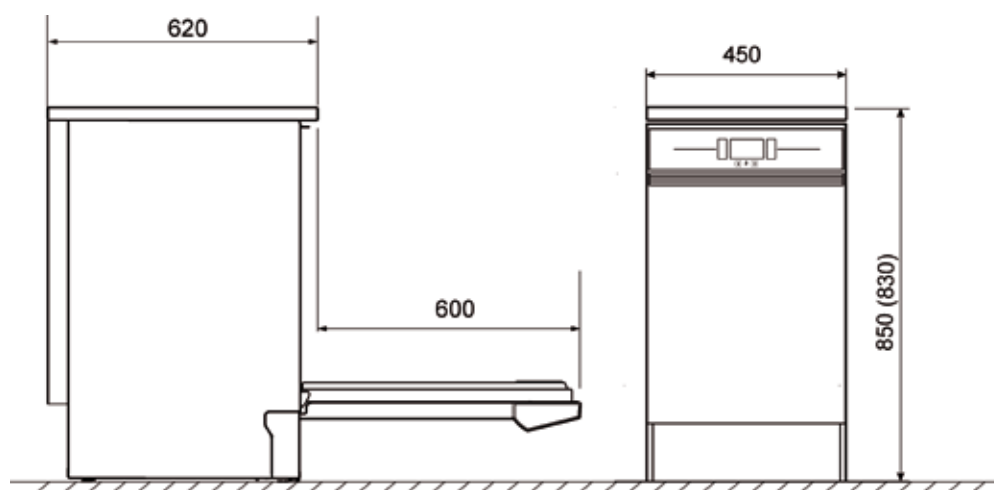
### CB18

WASHING SOLUTION FOR SURGICAL INSTRUMENTS (CB18 BASKET TO INSERT IN THE BASIC TROLLEYS D-CS1 AND D-CS2)





<b>WD2145 TECHNICAL FEATURES</b>	All versions
Electronic control	Microprocessor
Standard programs stores	9
Customisable programs	6
Display with segments and communication led icons	Yes
Clock and calendar	Yes
Phase parameters	Type of water, detergent quantity, target temperature, extension time in minutes, temperature
Tank internal temperature	From room temperature to 95°C
Accuracy	0,1°C
Temperature sensors in tank	2 x PT 1000 CLASS B IEC 60751
Display	4 digits
Detergent dosing system	2 pumps as standard
Detergent level sensor	Yes
Safety lock	Yes, with electromagnetic release and automatic opening
Safety devices	Safety thermostats, door interlock
Alarm display	30
Troubleshooting menu	Yes, using PC connection
Program editing	Yes, using 6 spare programs
<b>AUXILIARY FUNCTIONS</b>	
Traceability	Storage of data for 250 most recently run programs
RS232 serial port for PC connection	Yes
RS232 serial port for printer	Yes
Cycle storage	Yes, TRACELOG /Excel format
Cycle file download	Yes, TRACELOG format
<b>WATER SUPPLY (PRESSURE 1,5-5 BAR)</b>	
Cold water inlet	Yes, hardness max 42°F
Demineralized water inlet	Yes, < 20 µS/cm
Demineralized water booster pump	Yes
Water softener incorporated	Yes
Recirculation pump	200 l/min
<b>WATER HEATING</b>	
Electrical	3,0 kW Max
<b>STEAM CONDENSER</b>	Yes
<b>DIMENSIONS LXDXH MM</b>	
Outside (with built-in top)	450x620x850 (830)
Inside	380x480x590
Net weight (Kg)	56
<b>STAINLESS STEEL</b>	
Wash tank	AISI 316L
Exterior covering	AISI 304
<b>ELECTRICAL POWER SUPPLY</b>	
Max. voltage/power	1/N/PE 230V ~ 50Hz 3,3 kW
<b>NOISE LEVEL</b>	Max 50 dB



## WASHING DISINFECTOR WD1160



8  
DIN

WD1160 is a washer disinfector designed to work with two to four washing levels (up to 8 CSKDIN basket). The washing chamber measures 520 x 515 x 545mm (1.50 litres) and has the capability for washing and thermic disinfection (up to 95°C).



### CPCENDO

WASHING SOLUTION OF CONTAINERS FOR  
ENDOSCOPES (CPCENDO TROLLEY)



### CSK4B

WASHING SOLUTION FOR SURGICAL INSTRUMENTS  
(CSK4B TROLLEY WITH N. 4 CSKDIN BASKET MAX)



### ZCS1

WASHING SOLUTION FOR OP SHOES (ZCS1  
TROLLEY FOR A MAXIMUM OF 4 PAIRS OF OP  
SHOES)



### ZCS2

WASHING SOLUTION FOR OP SHOES (ZCS2  
TROLLEY FOR A MAXIMUM OF 8 PAIRS OF OP  
SHOES)





### CS3

WASHING SOLUTION FOR BABY BOTTLES WITH LIDS OF DIFFERENT DIMENSIONS AND PACIFIERS (TROLLEY CS3 WITH BASKET OF CB SERIE AND CPS20)



### D-SV

WASHING SOLUTION FOR ODONTOIATRIC INSTRUMENTS (BASKET D-SV TO INSERT IN THE BASIC TROLLEY CS1-1 AND CS2 WITH OTHER BASKETS AS FOR EXAMPLE D-CM1 OR CSMICRO2/3)



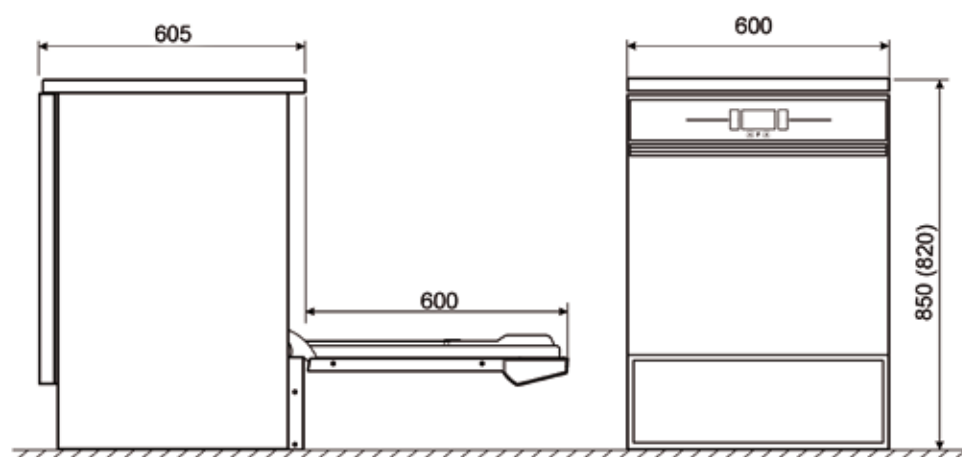
### BFS

WASHING SOLUTION FOR GYNAECOLOGICAL INSTRUMENTS (ACCESSORY BFS TO INSERT IN THE BASIC TROLLEYS CS1-1 AND CS2)





<b>WD1 160 TECHNICAL FEATURES</b>	All versions
Electronic control	Microprocessor
Standard programs stores	9
Customisable programs	6
Display with segments and communication led icons	Yes
Clock and calendar	Yes
Phase parameters	Type of water, detergent quantity, target temperature, extension time in minutes, temperature
Tank internal temperature	From room temperature to 95°C
Accuracy	0,1°C
Temperature sensors in tank	2 x PT 1000 CLASS B IEC 60751
Display	4 digits
Detergent dosing system	Max 3 pumps, 2 pumps as standard
Detergent level sensor	Yes
Safety lock	Yes, with electromagnetic release and automatic opening
Safety devices	Safety thermostats, door interlock
Alarm display	30
Troubleshooting menu	Yes, using PC connection
Program editing	Yes, using 6 spare programs
<b>AUXILIARY FUNCTIONS</b>	
Traceability	Storage of data for 250 most recently run programs
RS232 serial port for PC connection	Yes
RS232 serial port for printer	Yes
Cycle storage	Yes, TRACELOG /Excel format
Cycle file download	Yes, TRACELOG format
<b>WATER SUPPLY (PRESSURE 1,5-5 BAR)</b>	
Cold water inlet	Yes, hardness max 42°F
Demineralized water inlet	Yes, < 20 µS/cm
Demineralized water booster pump	Optional
Water softener incorporated	Yes
Recirculation pump	400 l/min
<b>WATER HEATING</b>	
Electrical	6,3 kW on tri-phase version, 2,3 kW on single-phase version
<b>STEAM CONDENSER</b>	Yes
<b>DIMENSIONS LxDxH mm</b>	
Outside (with built-in top)	600x605x850 (830)
Inside	520x515x545
Net weight (Kg)	74
<b>STAINLESS STEEL</b>	
Wash tank	AISI 316L
Exterior covering	AISI 304
<b>ELECTRICAL POWER SUPPLY</b>	
Max. voltage/power	1/N/PE 230V ~ 50Hz 2,8 kW single-phase version 3/N/PE 400V - 50 Hz 7,0 kW
<b>NOISE LEVEL</b>	Max 50 dB



## WASHING DISINFECTOR WD4060



8  
DIN

WD4060 is a washer disinfector designed to work with two to four washing levels (up to 8 CSKDIN basket). The washing chamber measures 520 x 515 x 545mm (150 litres) and has the capability for washing, chemical disinfection, thermic disinfection (up to 95°C) and active drying with Hepa filter.



### EF5DS

WASHING SOLUTION FOR RIGID VIDEOLAPAROSCOPE AND ENDOSCOPE (EF5DS TROLLEY)



### CSK6B

WASHING SOLUTION FOR SURGICAL INSTRUMENTS (CSK6B TROLLEY WITH N. 6 CSKDIN BASKET MAX)



### ZCS3

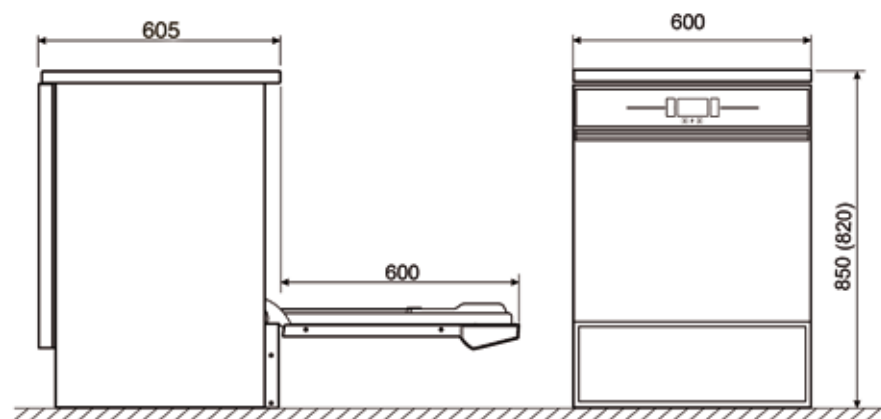
WASHING SOLUTION FOR OP SHOES (ZCS3 TROLLEY FOR A MAXIMUM OF 12 PAIRS OF OP SHOES)



# ERGONOMIC AND SAFETY WASHING SOLUTION



<b>WD4060 TECHNICAL FEATURES</b>	All versions
Electronic control	Microprocessor
Standard programs stores	9
Customisable programs	6
Display with segments and communication led icons	Yes
Clock and calendar	Yes
Phase parameters	Type of water, detergent quantity, target temperature, extension time in minutes, drying temperature and time
Tank internal temperature	From room temperature to 95°C
Accuracy	0,1°C
Temperature sensors in tank	2 x PT 1000 CLASS B IEC 60751
Display	4 digits
Detergent dosing system	Max 3 pumps, 2 pumps as standard
Detergent level sensor	Yes
Safety lock	Yes, with electromagnetic release and automatic opening
Safety devices	Safety thermostats, door interlock
Alarm display	30
Troubleshooting menu	Yes, using PC connection
Program editing	Yes, using 6 spare programs
<b>AUXILIARY FUNCTIONS</b>	
Traceability	Storage of data for 250 most recently run programs
RS232 serial port for PC connection	Yes
RS232 serial port for printer	Yes
Cycle storage	Yes, TRACELOG /Excel format
Cycle file download	Yes, TRACELOG format
<b>DRYING SYSTEM</b>	
Drying fan	Yes
Drying heating element	0,8 kW
Prefilter class C 98%	Yes
HEPA filter Class S 99.999%	Yes
<b>WATER SUPPLY (PRESSURE 1,5-5 BAR)</b>	
Cold water inlet	Yes, hardness max 42°F
Demineralized water inlet	Yes, < 20 µS/cm
Demineralized water booster pump	Optional
Water softener incorporated	Yes
Recirculation pump	400 l/min
<b>WATER HEATING</b>	
Electrical	6,3 kW on tri-phase version, 2,3 kW on single-phase version
<b>STEAM CONDENSER</b>	Yes
<b>DIMENSIONS LxDxH mm</b>	
Outside (with built-in top)	600x605x850 (830)
Inside	520x515x545
Net weight (Kg)	77
<b>STAINLESS STEEL</b>	
Wash tank	AISI 316L
Exterior covering	AISI 304
<b>ELECTRICAL POWER SUPPLY</b>	
Max. voltage/power	1/N/PE 230V ~ 50Hz 2,8 kW single-phase version 3/N/PE 400V - 50 Hz 7,0 kW
<b>NOISE LEVEL</b>	Max 50 dB



## WASHING DISINFECTOR WD4190



8  
DIN

WD4190 is a washer disinfector designed to work with two to four washing levels (up to 8 CSKDIN basket). A detergent cabinet is incorporated. The washing chamber measures 520 x 515 x 545mm (150 litres) and has the capability for washing, chemical disinfection, thermic disinfection (up to 95°C) and active drying with Hepa filter.



### EF3DS

WASHING SOLUTION FOR OPHTHALMOLOGY  
(EF3DS TROLLEY)



### CSK8B

WASHING SOLUTION FOR SURGICAL INSTRUMENTS  
(CSK8B TROLLEY WITH N. 8 CSKDIN BASKET MAX)



### AE2BDS

WASHING SOLUTION FOR ANESTHESIA  
INSTRUMENTS (AE2BDS TROLLEY)

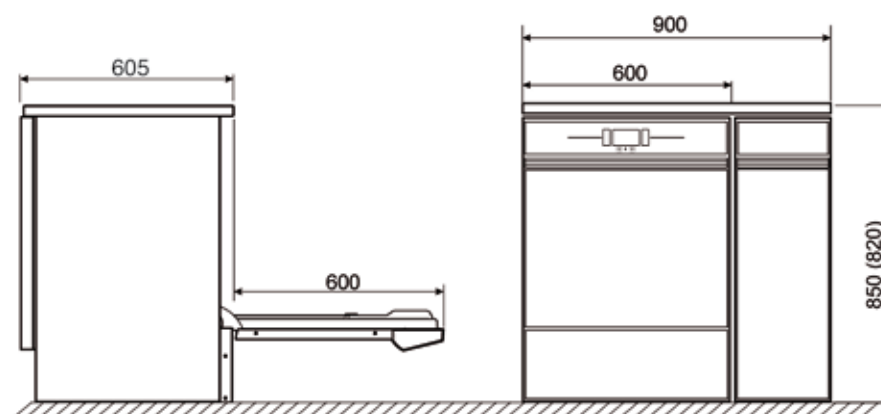


ERGONOMIC AND SAFETY WASHING SOLUTION





<b>WD4060 TECHNICAL FEATURES</b>	All versions
Electronic control	Microprocessor
Standard programs stores	9
Customisable programs	6
Display with segments and communication led icons	Yes
Clock and calendar	Yes
Phase parameters	Type of water, detergent quantity, target temperature, extension time in minutes, drying temperature and time
Tank internal temperature	from room temperature to 95°C
Accuracy	0,1°C
Temperature sensors in tank	2 x PT 1000 CLASS B IEC 60751
Display	4 digits
Detergent dosing system	Max 3 pumps, 2 pumps as standard
Detergent level sensor	Yes
Safety lock	Yes, with electromagnetic release and automatic opening
Safety devices	Safety thermostats, door interlock
Alarm display	30
Troubleshooting menu	Yes, using PC connection
Program editing	Yes, using 6 spare programs
<b>AUXILIARY FUNCTIONS</b>	
Traceability	Storage of data for 250 most recently run programs
RS232 serial port for PC connection	Yes
RS232 serial port for printer	Yes
Cycle storage	Yes, TRACELOG /Excel format
Cycle file download	Yes, TRACELOG format
<b>DRYING SYSTEM</b>	
Drying fan	Yes
Drying heating element	0,8 kW
Prefilter class C 98%	Yes
HEPA filter Class S 99.999%	Yes
<b>WATER SUPPLY (PRESSURE 1,5-5 BAR)</b>	
Cold water inlet	Yes, hardness max 42°F
Demineralized water inlet	Yes, < 20 µS/cm
Demineralized water booster pump	Optional
Water softener incorporated	Yes
Recirculation pump	400 l/min
<b>WATER HEATING</b>	
Electrical	6,3 kW on tri-phase version, 2,3 kW on single-phase version
<b>STEAM CONDENSER</b>	
	Yes
<b>DIMENSIONS LxDxH mm</b>	
Outside (with built-in top)	900x605x850 (830)
Inside	520x515x545
Net weight (Kg)	83
<b>STAINLESS STEEL</b>	
Wash tank	AISI 316L
Exterior covering	AISI 304
<b>ELECTRICAL POWER SUPPLY</b>	
Max. voltage/power	1/N/PE 230V ~ 50Hz 2,8 kW single-phase version 3/N/PE 400V - 50 Hz 7,0 kW
<b>NOISE LEVEL</b>	
	Max 50 dB







# PROFESSIONAL LINE

---

WD3060 - WD5090T - WD7000

## WASHING DISINFECTOR WD3060



8  
DIN

WD3060 is a washer disinfector designed to work with two to four washing levels (up to 8 CSKDIN basket). The machine has a professional electronic control with LCD graphic display, which controls the washing quantity and allows connection to the local network. The washing chamber measures 520 x 515 x 545mm (150 litres) and has the capability for washing, chemical and thermic disinfection (up to 95°C).



### CS3

WASHING SOLUTION FOR BABY BOTTLES WITH LIDS OF DIFFERENT DIMENSIONS AND PACIFIERS (TROLLEY CS3 WITH BASKET OF CB SERIE AND CPS20)



### CSK4B

WASHING SOLUTION FOR SURGICAL INSTRUMENTS (CSK4B TROLLEY WITH N. 4 CSKDIN BASKET MAX)



### CPC1

WASHING SOLUTION FOR CONTAINERS (CPC1 TROLLEY)





### ZCS3

WASHING SOLUTION FOR OP SHOES (ZCS3 TROLLEY FOR A MAXIMUM OF 12 PAIRS OF OP SHOES)



### SCVO

ASPIRATION TUBE SUPPORT AND COLD LIGHT CABLES



### SA3

WASHING SOLUTION FOR KIDNEY BOWL AND BASIN (SUITABLE FOR CS1-1 AND CS2 TROLLEYS)



**WD3060 TECHNICAL FEATURES**

All versions

Electronic control	3 microprocessors + 1 (optional communication card)
Standard programs stores	20
Customisable programs	10 (expandable to 50)
Clock and calendar	Yes
Phase parameters	Temperature, total time and residual A0, running phase of the program, selected program, clock and calendar, warning alarm codes, maintenance
Tank internal temperature	From room temperature to 95°C
Accuracy	0,1°C
Temperature sensors in tank	2 x PT 1000 CLASS B IEC 60751
Backlit graphic LCD display	128 x 64 pixels
Detergent dosing system	Max 4 pumps, 2 pumps as standard
Detergent level sensor	Yes
Safety lock	Yes, with electromagnetic release and automatic opening
Safety devices	Safety thermostats, door interlock
Alarm display	80
Troubleshooting menu	Yes, using PC connection
Program editing	Yes, (with password – 4 levels)
Display languages	Italian, English, French, German, Russian, Spanish, Turkish and others on request

**AUXILIARY FUNCTIONS**

External sensor duct	Optional
Waste water separation solenoid valve control	Optional
Traceability	Storage of data for 250 most recently run programs
RS232 serial port for PC connection	Yes
RS232 serial port for printer	Yes
Cycle storage	Yes, WD-TRACE /Excel format
Cycle file download	Yes, WD-TRACE format

**WATER SUPPLY (PRESSURE 1,5-5 BAR)**

Cold water inlet	Yes, hardness max 42°F
Demineralized water inlet	Yes, < 20 µS/cm
Demineralized water booster pump	Optional
Water softener incorporated	Yes
Recirculation pump	400 l/min

**WATER HEATING**

Electrical	6,3 kW
STEAM CONDENSER	Yes

**DIMENSIONS L X D X H MM**

<b>Outside (with built-in top)</b>	600x640x850 (830)
Inside	520x515x545

**NET WEIGHT (KG)**

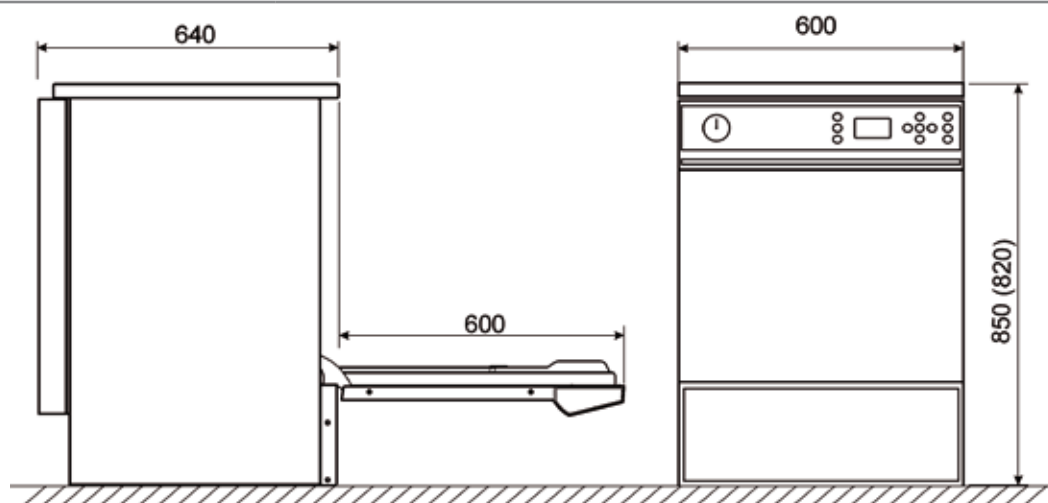
<b>NET WEIGHT (KG)</b>	76
STAINLESS STEEL	
Wash tank	AISI 316L

**EXTERIOR COVERING**

EXTERIOR COVERING	AISI 304
ELECTRICAL POWER SUPPLY	
<b>MAX. VOLTAGE/POWER</b>	3/N/PE 400V - 50 Hz 7,0 kW

**NOISE LEVEL**

<b>NOISE LEVEL</b>	Max 50 dB
--------------------	-----------



## WASHING DISINFECTOR WD5090



8  
DIN

WD5090 is a washer disinfector designed to work with two to four washing levels (up to 8 CSKDIN basket). The machine has a professional electronic control with LCD graphic display, which controls the washing quantity and allows connection to the local network. A detergent cabinet is incorporated. The washing chamber measures 520 x 515 x 545mm (150 litres) and has the capability for washing, chemical and thermic disinfection (up to 95°C) and active drying with Hepa filter.





### CSK6B

WASHING SOLUTION FOR SURGICAL INSTRUMENTS  
(CSK6B TROLLEY WITH N. 6 CSKDIN BASKET MAX)



### CSK4BMIC

WASHING SOLUTION FOR SURGICAL INSTRUMENTS AND  
MINIMALLY INVASIVE SURGERY ACCESSORIES (CSK4BMIC  
TROLLEY WITH 1 KITMIC BASKET TO PUT INSIDE MINIMALLY  
INVASIVE SURGERY ACCESSORIES AND N. 3 CSKDIN  
BASKETS FOR SURGICAL INSTRUMENTS).



### EF5DS

WASHING SOLUTION FOR RIGID  
VIDEOLAPAROSCOPE AND ENDOSCOPE (EF5DS  
TROLLEY)





### AE2BDS

WASHING SOLUTION FOR ANESTHESIA  
INSTRUMENTS (AE2BDS TROLLEY)



### EF3DS

WASHING SOLUTION FOR OPHTHALMOLOGY  
(EF3DS TROLLEY)

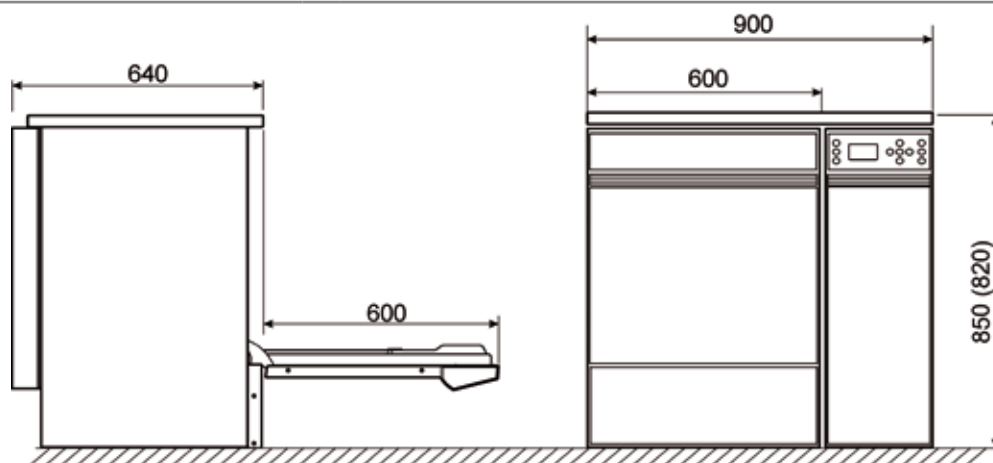


### CM3

WASHING SOLUTION FOR MASKS



<b>WD5090 TECHNICAL FEATURES</b>	All versions
Electronic control	3 microprocessors + 1 (optional communication card)
Standard programs stores	20
Customisable programs	10 (expandable to 50)
Clock and calendar	Yes
Phase parameters	Temperature, total time and residual A0, running phase of the program, selected program, clock and calendar, warning alarm codes, maintenance
Tank internal temperature	From room temperature to 95°C
Accuracy	0,1°C
Temperature sensors in tank	2 x PT 1000 CLASS B IEC 60751
Backlit graphic LCD display	128 x 64 pixels
Detergent dosing system	Max 4 pumps, 2 pumps as standard
Detergent level sensor	Yes
Safety lock	Yes, with electromagnetic release and automatic opening
Safety devices	Safety thermostats, door interlock
Alarm display	80
Troubleshooting menu	Yes, using PC connection
Program editing	Yes, (with password – 4 levels)
Display languages	Italian, English, French, German, Russian, Spanish, Turkish and others on request
<b>AUXILIARY FUNCTIONS</b>	
External sensor duct	Optional
Waste water separation solenoid valve control	Optional
Traceability	Storage of data for 250 most recently run programs
RS232 serial port for PC connection	Yes
RS232 serial port for printer	Yes
Cycle storage	Yes, WD-TRACE /Excel format
Cycle file download	Yes, WD-TRACE format
<b>DRYING SYSTEM</b>	
Drying fan	Yes
Drying heating element	2,5 kW
Prefilter class C 98%	Yes
HEPA filter Class S 99.999%	Yes
<b>WATER SUPPLY (PRESSURE 1,5-5 BAR)</b>	
Cold water inlet	Yes, hardness max 42°F
Deminerlized water inlet	Yes, < 20 µS/cm
Deminerlized water booster pump	Optional
Water softener incorporated	Yes
Recirculation pump	400 l/min
<b>WATER HEATING</b>	
Electrical	6,3 kW
Water pre-heating via boiler	Optional
<b>STEAM CONDENSER</b>	Yes
<b>DIMENSIONS LxDxH mm</b>	
Outside (with built-in top)	900x640x850 (830)
Inside	520x515x545
Net weight (Kg)	83
<b>STAINLESS STEEL</b>	
Wash tank	AISI 316L
Exterior covering	AISI 304
<b>ELECTRICAL POWER SUPPLY</b>	
Max. voltage/power	3/N/PE 400V - 50 Hz 7,0 kW
<b>NOISE LEVEL</b>	Max 50 dB



## WASHING DISINFECTOR WD7000



15  
DIN

WD7000 is a washer disinfector designed for working CSSD areas where a double door machine is necessary. There are five washing levels for a maximum of 15 CSKDIN baskets. The machine has PLC electronic control for complete automation of the washing process. A detergent cabinet is incorporated. The washing chamber measures 671 x 818 x 639mm (350 litres) and has the capability of washing, chemical and thermic disinfection (up to 95°C) and active drying with Hepa filter.



CSK15  
WASHING SOLUTION FOR SURGICAL  
INSTRUMENTS



CSKAE7  
WASHING SOLUTION FOR ANAESTHESIA TROLLEY



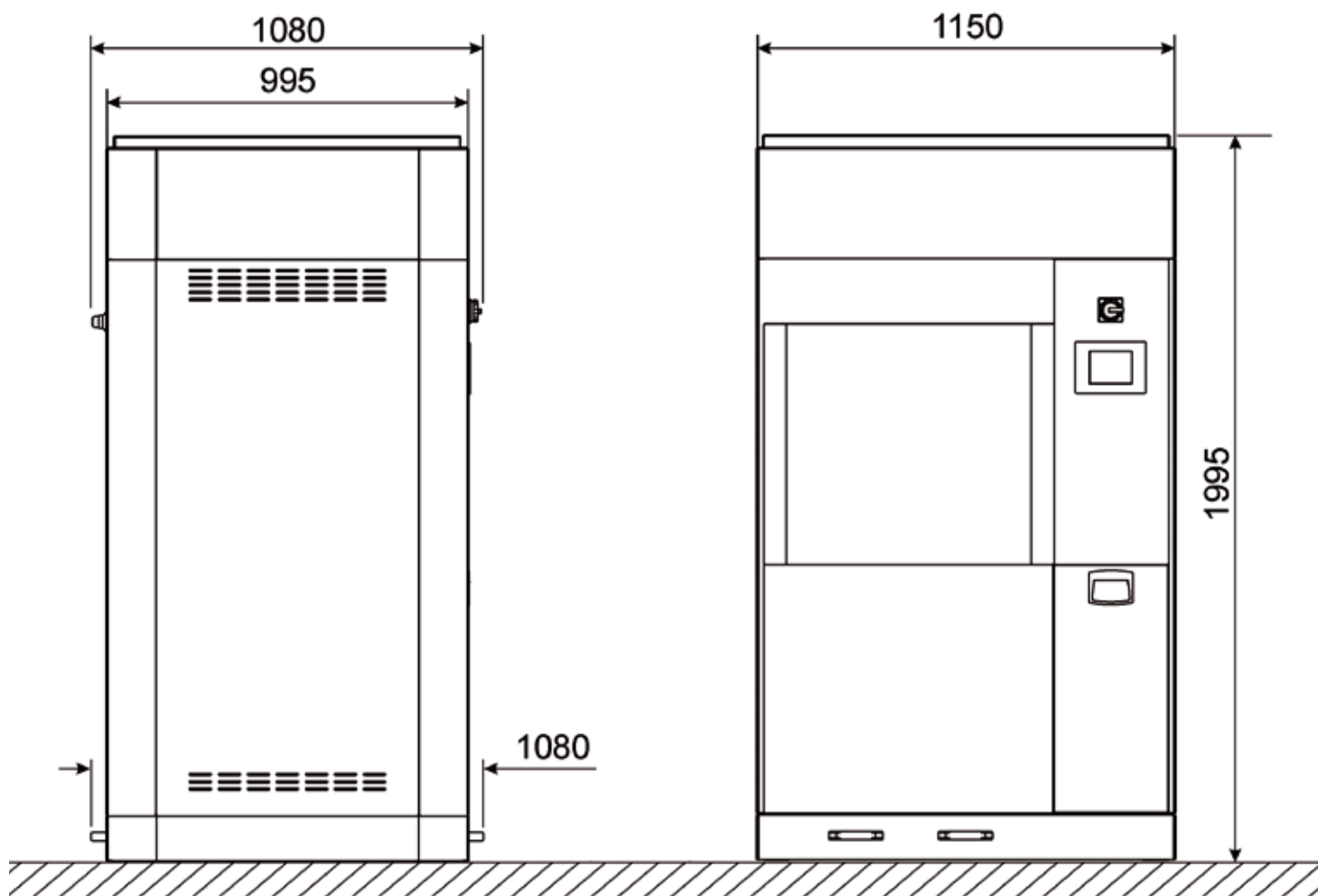
CSFLEX  
WASHING SOLUTION FOR MIC



DIS-WD7  
RELEASE TROLLEY FOR LARGE DIMENSION  
MACHINES



WASHING DISINFECTO WD7000



<b>WD7000 TECHNICAL FEATURES</b>	All versions
Electronic control	PLC for control automation
Standard programs stores	20
Customisable programs	20
Clock and calendar	Yes
Phase parameters	Type of water, detergent quantity, target temperature, extension time, drying temperature and type of detergent to dose
Tank internal temperature	From room temperature to 95°C
Accuracy	0,1°C
Temperature sensors in tank	2 x PT 1000 CLASS B IEC 60751
Backlit graphic LCD display	128 x 64 pixels
Detergent dosing system	Max 5 pumps, 2 pumps as standard
Detergent level sensor	Yes
Safety lock	Yes, with electromagnetic release and automatic opening
Safety devices	Safety thermostats, door interlock
Alarm display	95
Troubleshooting menu	Yes
Program editing	Yes, (with password – 4 levels)
Display languages	Italian, English, French, German, Russian and others on request
<b>AUXILIARY FUNCTIONS</b>	
External sensor duct	Optional
Waste water separation solenoid valve control	Optional
Traceability	Storage of data for 100 most recently run programs
RS232 serial port for PC connection	Yes
RS232 serial port for printer	Yes
Water quality check	Optional
Cycle storage	Yes, USB port//Excel format
Cycle file download	Yes, USB port
<b>DRYING SYSTEM</b>	
Double drying fan	2 motors variable speed
Drying heating element	5 kW
Prefilter class C 98%	Yes
HEPA filter Class S 99.999%	Yes
<b>WATER SUPPLY (PRESSURE 1,5-5 BAR)</b>	
Cold water inlet	Yes, hardness max 42°F
Demineralized water inlet	Yes, < 20 µS/cm
Demineralized water booster pump	Optional
Water softener incorporated	Optional
Recirculation pump	2 pumps of 400 l/min
<b>WATER HEATING</b>	
<b>ELECTRICAL</b>	18 kW Max
Water pre-heating via boiler	Yes demi - optional for tap water
FLOOR DRAIN OUTLET	Yes
<b>DIMENSIONS LxDxH mm</b>	
Outside (with built-in top)	1150x990x2000
Inside	671x818x639
Net weight (Kg)	680
<b>STAINLESS STEEL</b>	
Wash tank	AISI 316L
Exterior covering	AISI 304
<b>ELECTRICAL POWER SUPPLY</b>	
Max. voltage/power	3/N/PE 400V - 50 22 kW
<b>NOISE LEVEL</b>	Max 50 dB







# ACCESSORIES

---

BASIC LINE AND PROFESSIONAL LINE

COMPATIBLE  
WD2145  
WD1160  
WD4060  
WD4190  
WD3060  
WD5090T



## D-CS1

UPPER LEVEL SURGICAL  
INSTRUMENT BASKETS

Basic upper basket with sprayer  
for the WD2145 series.  
Suitable for surgical instrument  
treatment.

## D-CS2

LOWER LEVEL SURGICAL  
INSTRUMENT BASKETS

Basic lower basket with sprayer  
for the WD2145 series.  
Suitable for surgical instrument  
treatment.



## CS1-1

UPPER LEVEL SURGICAL  
INSTRUMENT BASKETS

Basic upper basket with  
sprayer. Suitable for surgical  
instrument treatment.

## CS2

LOWER LEVEL SURGICAL  
INSTRUMENT TROLLEY

Basic lower basket with sprayer. Suitable for  
surgical instrument treatment.



COMPATIBLE  
 WD1160  
 WD4060  
 WD4190  
 WD3060  
 WD5090T



## CSK4B

2-LEVEL SURGICAL  
 INSTRUMENT LOAD CARRIER

Suitable for treating standard and large-sized surgical instruments. Two washing levels served by an incorporated sprayer and sprayer on the bottom of the machine. Minimum working height 165 mm. To be fitted with 4 CSK DIN baskets.

## CSK4BMIC

2-LEVEL SURGICAL  
 INSTRUMENT LOAD CARRIER

Suitable for treating standard and large-sized surgical instruments and, at the same time, minimally invasive surgery accessories. Two washing levels with an incorporated sprayer on the upper level and the lower level uses the sprayer situated at the bottom of the wash chamber. Connection at the KITMIC10 basket available on the upper level. Minimum working height 165 mm. To be used with 3 CSK DIN baskets and 1 KITMIC10 basket (instead of 4 DIN baskets).



## CSK8B

4-LEVEL SURGICAL  
 INSTRUMENT LOAD CARRIER

Suitable for treating standard and large-sized surgical instruments. Four washing levels served by three incorporated sprayers and a sprayer on the bottom of the machine. Minimum working height 64 mm. To be fitted with 8 CSK DIN baskets.

## CSK6B

3-LEVEL SURGICAL INSTRUMENT  
 LOAD CARRIER

Suitable for treating standard and large-sized surgical instruments. Three washing levels served by two incorporated sprayers and a sprayer on the bottom of the machine. Minimum working height 75 mm. To be fitted with 6 CSK DIN baskets.



COMPATIBLE  
WITH ALL  
WASHER  
DISINFECTORS



## CSK1

1-LEVEL SURGICAL  
INSTRUMENT INSERTS

Suitable for large-sized surgical instruments (ex. abdominal retractors, self-retaining retractors, lateral valves, etc.).

Dimensions: L x D x H 450 x 450 x 55mm, mesh 5 x 5mm  
Space needed: entire washer level

## CSK2

HALF-LEVEL SURGICAL  
INSTRUMENT INSERTS

Suitable for medium-sized surgical instruments (ex. clamps, haemostatic forceps, scissors, suture instruments, etc.).

Dimensions: L x D x H 450 x 225 x 50mm, mesh 5 x 5mm  
Space needed: half of a washer level



## CSKDIN

HALF-LEVEL SURGICAL  
INSTRUMENT INSERTS

Suitable for medium-sized surgical instruments (ex. clamps, haemostatic forceps, scissors, suture instruments, etc.).

Dimensions: L x D x H 480 x 245 x 50mm, mesh 5 x 5mm  
Space needed: half of a washer level

COMPATIBLE  
WITH ALL  
WASHER  
DISINFECTORS



## KITMIC10

CANNULATED  
INSTRUMENT INSERTS

Suitable for medium-sized minimally invasive surgery instruments.  
Equipped with n° 4 luer locks and 5 connectors for hollow instruments.  
Suitable for CSK4BMIC only.

Dimensions: L x D x H 480 x 245 x 50mm, mesh 5 x 5mm  
Space needed: half of a washer level

## CSK1/3

1/3-LEVEL SURGICAL  
INSTRUMENT INSERTS

Suitable for medium-sized surgical instruments  
(ex. clamps, haemostatic forceps, scissors, suture instruments, etc.).

Dimensions: L x D x H 435 x 160 x 50mm, mesh 5 x 5mm  
Space needed: one third of a washer level



## CSK1/6

1/6-LEVEL SURGICAL  
INSTRUMENT INSERTS

Suitable for various small-sized surgical instruments (ex. scalpels, surgical scissors, small forceps, etc.).

Dimensions: L x D x H 130 x 225 x 50mm  
Mesh: cover 5 x 5mm, basket 3 x 3 mm  
Space needed: one sixth of a washer level



COMPATIBLE  
WITH ALL  
WASHER  
DISINFECTORS



## D-SV

VERTICAL  
INSERT

Suitable for holding various surgical instruments in the vertical position (ex. Forceps, probes, swab holders, spatulas, osteotomies, chisels, etc.). Divided into multiple compartments and a central inclined tub for washing water drainage.

Dimensions: L x D x H 300 x 160 x 150 mm, basket mesh 3 x 3 mm

## D-CM1

SURGICAL INSTRUMENT INSERT

Suitable for holding various surgical instruments

Mesh Insert: 3x3 mm

Made of stainless steel.

Dimensions: lxdxh 300x155x115 mm.



## CSMICRO1

TINY SURGICAL INSTRUMENT INSERT

Surgical instrument basket with handles and lid.

Dimensions: L x D x H 240 x 235 x 55 mm, mesh insert 3 x 3 mm

Space needed: ¼ of a washer level

Suitable for various tiny instruments or very small instruments in general.

## CSMICRO2

TINY SURGICAL INSTRUMENT  
INSERT

Surgical instrument basket with handles and lid.

Dimensions: L x D x H 100 x 80 x 45 mm, mesh insert in micro-stretched netting.

Suitable for very small instruments in general.



COMPATIBLE  
WITH ALL  
WASHER  
DISINFECTORS

## CSMICRO3

TINY SURGICAL  
INSTRUMENT INSERT

Dimensions: L x D x H 280x168x45 mm,  
basket mesh in micro-stretched netting.



## BFS

SUPPORT  
SPECULUM

Support for vertical positioning of  
speculum. Made in stainless steel.

Space needed: ¼ washer level  
Suitable housing 6 speculum both single  
and dual

## SA3

KIDNEY BOWL SUPPORT

Basin and kidney bowl support.

Holds 4 kidney bowls

Space needed: half washer level of a CS3 load carrier



## SCVO

ASPIRATION TUBE SUPPORT AND COLD LIGHT  
CABLES

Suitable for the positioning of suction hoses and  
cold light cables.

Capacity: up to 2 cables / tubes

Space needed: 1/4 of a washing basket CS2

COMPATIBLE  
WD1160  
WD4060  
WD4190  
WD3060  
WD5090T



## EF5

RIGID VIDEOLAPAROSCOPE AND  
ENDOSCOPE LOAD CARRIER

Trolley for washing an endoscope container with cover  
size max .:  
Cover LxPxH = 510x410x30 mm  
Container LxPxH = 515x430x120 mm.  
To be used with IRCP sky sprayer

## EF5DS

RIGID VIDEOLAPAROSCOPE AND ENDOSCOPE LOAD CARRIER EQUIPPED WITH  
DRYING SYSTEM CONNECTION

Equipped with:

- 20 injectors, to wash hollow instruments, equipped with:
- 6 silicone connectors with a 1mm diameter hole.
- 6 silicone connectors with a 6mm diameter hole
- 4 silicone connectors with a 10mm diameter hole.
- 4 connections ULBEF2
- n°20 luer-lock connectors to connect the instruments
- n° 1 open CSK2 basket

## EF3

SPECIAL OPHTHAMOLOGY LOAD CARRIER

Smeg has created, for washing and disinfecting the tiny fragile instruments used in the ophthalmology departments, a trolley with specific injection systems, quick connectors for all hollow instrument and cannula connection and a set of basins with special locks to prevent the force of the water jets from scattering the treated medical devices. Direct connection to the hydraulic unit is made through a quick-coupling self-adjusting system.



## EF3DS

SPECIAL OPHTHAMOLOGY LOAD CARRIER WITH DRYING SYSTEM CONNECTION

Equipped with:

- 12 male connectors with diameters of 6, 4, 3 mm used for hollow instrument and tube injection washing.
- 9 female connectors with diameters of 7 and 4 mm
- 2 spring check valves with respective clamps for external washing of delicate tubular instruments
- 5 hollow supports with diameters of 7 and 4 mm for internal and external washing of cannulas
- 2 CSK2 baskets
- 4 CSK1/6 baskets provided with S-MIC locks for tiny delicate instruments



## CPCENDO

ENDOSCOPE CONTAINER  
WASHING LOAD CARRIER

Load carrier for washing an endoscope container with cover size max .:  
Cover LxPxH = 510x410x30 mm  
Container LxPxH = 515x430x120 mm.  
To be used with IRCP sky sprayer



COMPATIBLE

- WD1160
- WD4060
- WD4190
- WD3060
- WD5090T



## AE2BDS

### ANESTHESIA LOAD CARRIER

Trolley for treating anesthesia instruments. It is equipped with an injection system for cleaning the inside of corrugated tubes with 10 nozzles (3 mm diameter) and 3 injectors (6 mm diameter). Direct connection to the hydraulic unit is made through a quick-coupling self-adjusting system.

Equipped with:

- 8 injection supports for corrugated tubes with a max. length of 150mm
- 13 nozzles for catheters
- 3 balloon nozzles
- 4 supports for masks and accessories

## CM3

### MASK WASHING LOAD CARRIER

Two-level trolley for washing and treating various types of masks. It holds up to 24 masks. Specifically, 8 masks can be placed on the top level and 16 on the bottom level. Uniform mask spraying is guaranteed by the sprayer on the bottom of the wash chamber and by the second sprayer arm placed between the 2 washing levels. Direct connection to the hydraulic unit is made through a quick-coupling self-adjusting system.



## CPC 1

### CONTAINER LOAD CARRIER

Load carrier for washing 2 containers and 2 lids with max. dimensions of 300 x 300 x 150mm (LxDxH). Complete container cleaning is guaranteed by a sprayer arm on the bottom of the wash chamber and by the second one placed on the trolley. Direct connection to the hydraulic unit is made through a quick-coupling self-adjusting system.



## ZCS3

### OPERATING ROOM SHOE TROLLEY

Load carrier with two washing levels for treating OP shoes. It can hold 12 pairs of shoes. Specifically, 4 pairs of shoes can be placed on the top level and 8 pairs on the bottom level. The specially configured shoe support hooks has been designed to prevent possible rubber deformation due to the high temperatures reached in the wash chamber. Uniform shoe spraying is guaranteed by a sprayer on the bottom of the wash chamber and by the second sprayer arm placed between the two washing levels. Direct connection to the hydraulic unit is made through a quick-coupling self-adjusting system.  
Made in stainless steel.

## ZCS1

### UPPER SURGICAL SHOE BASKET

Upper shoe basket with sprayer.  
It holds 4 pairs of shoes.



## D-ZCS1

### UPPER SURGICAL SHOE BASKET

Upper shoe basket with sprayer for WD2145 series.  
It holds 3 pairs of shoes.

## ZCS2

### LOWER SURGICAL SHOE BASKET

Lower shoe trolley. It holds 8 pairs of shoes.



## D-ZCS2

### LOWER SURGICAL SHOE BASKET

Lower shoe basket for the WD2145 series. It holds 4 pairs of shoes.



## CS3

UNIVERSAL SUPPORT LOAD CARRIER

Two-level universal support load trolley with an incorporated sprayer and a sprayer on the bottom of the machine. Direct connection to the hydraulic unit is made through a quick-coupling self-adjusting system. It is suitable for positioning baby bottle baskets or for supports and various baskets. Made in stainless steel.

## BABY BOTTLE CONTAINER

Container for 18 baby bottles with lids.  
Positioning on a standard CS3 load carrier.  
Space needed: half a rack for each level.  
Made in stainless steel.

CB18

for 250 ml baby bottles  
Dimensions l x p x h 210 x 425 x 195 mm

CB18/120

for 120 ml baby bottles  
Dimensions l x p x h 210 x 425 x 125 mm

CB18/100

for 100 ml baby bottles  
Dimensions l x p x h 210 x 425 x 115 mm



## CPS20

CONTAINER FOR 20 PACIFIERS

Metal-netted container with lid. Positioned on a standard CS3 load carrier. Two baskets can be overlapped to increase the surgical instrument load capacity. Made in stainless steel.

Space needed: half a rack for each level. Dimensions: 430 x 190 x 60 mm (L x D x H). Mesh 5 x 5 mm.

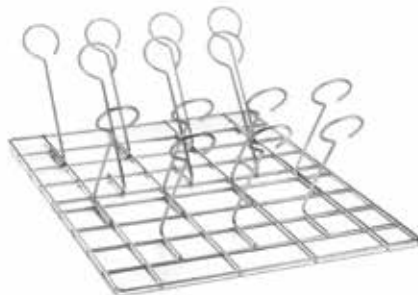
COMPATIBLE  
WD7000

## CSK12

MULTIFUNCTION WASHING LOAD CARRIER UP TO 4 LEVELS

Multifunction washing trolley which allows to combine general instruments washing and direct injection system for MIC instruments (2 levels available for MIC direct injection system with baskets CSKFLEX)

From 2 to 4 washing levels with 4 direct injection dismantable rotary arms on each level. Maximum height between levels 70 mm. Load capacity: max. 12 type DIN inserts. Made in stainless steel AISI 304.



## SCLOG7

OPERATION THEATER SHOES WASHING INSERT

Load capacity: max. 14 shoes.  
To be positioned onto CSK12 (max. 2).  
Made in stainless steel AISI 304.

## CSKFLEX

MIC WASHING INSERTS FOR HOLLOW INSTRUMENTS

Include 2 DIN inserts with direct injection system. Made in stainless steel AISI 304. Capacity: 10 hollow instruments inserts 400 mm length.

Luerlock connectors to be configured according to users' necessity.





## CSK15

MULTIFUNCTION WASHING LOAD CARRIER UP TO 5 LEVELS

Multifunction washing trolley which allows to combine general instruments washing and direct injection system for MIC instruments (2 levels available for MIC direct injection system with baskets CSKFLEX)

From 2 to 5 washing levels with 4 direct injection dismantlable rotary arms on each level. Maximum height between levels 70 mm. Load capacity: max. 15 type DIN inserts. Made in stainless steel AISI 304.



## DIS-WD7

RELEASE TROLLEY FOR LARGE DIMENSION MACHINES

Loading trolley with locking system to load washing material into the washer disinfector. Anti drop system to collect any residual water from load material. Wheels able to be locked. Anti upside down system for security transport Ergonomic handle and design. Made in stainless steel AISI 304.

## CSKAE7

ANESTHESIA LOAD CARRIER

Load carrier for treating anesthesia instruments. It is equipped with an injection system for cleaning the inside of corrugated tubes with 10 nozzles for catheters, n° 4 for balloons, n° 4 supports for masks and accessories. Made in stainless steel AISI 304.



# WATER TREATMENT

---

To achieve high quality wash standards, it is recommended to use properly treated water. To ensure maximum performance in the pre-washing, washing and neutralizing stages, always use softened water. All under counter models have an efficient integrated water softener that can re-

duce the hardness of the water supply, eliminating the formation of whitish spots inside the chamber and on the treated instruments. For a correct use of the instrument washer WD7000 an external water treatment system is necessary, given the large amount used in the washing stages.





## WP3000

RESIN COLUMN WATER PURIFIER

The WP3000 water purifier is used to produce deionised water at 0.8-1  $\mu\text{S}/\text{cm}$ , suitable for the final rinsing of instrument washers. The system uses mixed bed resins (disposable) which can also retain silica. When the resins run out, they can simply be replaced with the MI700WP kit.

The resin cartridge is made out of stainless steel, as is the entire machine. Net capacity of cartridge: 15 litres. Dimensions: l x d x h = 300x600x850 mm.

## MI700WP

Anion/cation mixed bed resins kit for the WP3000 water purifier. Total exchange capacity 42700 litres/°F\* end of cycle at 5 $\mu\text{S}/\text{cm}$  (\*Hardness in French degrees). Supplied with used resin disposal bag.



## WS14E

WATER TREATMENT SYSTEMS

The WS series of appliances are technological water softeners capable of completely eliminating lime scale from water. The resins are regenerated using normal sodium chloride. Available in versions with flow rates of up to 2200 litres/hour, the models are fitted with an electronically controlled head which can be programmed depending on the hardness of the water. They provide backflow regeneration based on the volume of water (bearing in mind the resin saturation rate) and proportional brine in order to optimise water and salt consumption.

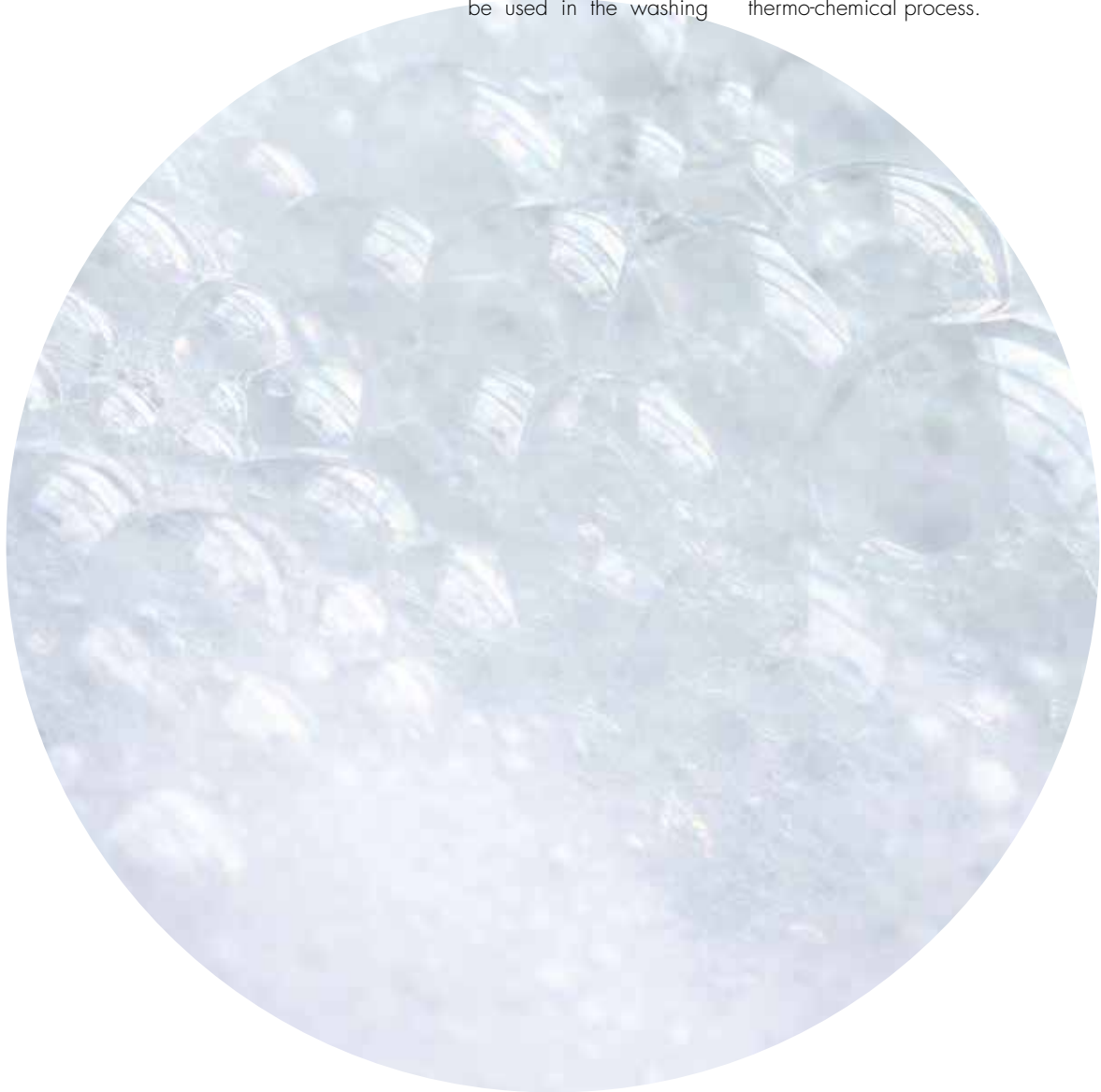
	WS11EB	WS14EB	WS17EB
MAXIMUM FLOW RATE	1800 l/h (43 l/min)	2000 l/h (43 l/min)	2200 l/h (43 l/min)
NOMINAL FLOW RATE	1500 l/h (43 l/min)	1600 l/h (43 l/min)	1800 l/h (43 l/min)
RESIN CAPACITY IN LITRES	11	14	17
EXCHANGE CAPACITY (m <sup>3</sup> /°F)	66	84	102
CYCLE CAPACITY AT 40°F	1650	2250	2700
PROGRAMMABLE RESIDUAL HARDNESS	0-10° F	0-10° F	0-10° F
REGENERATING AGENT TYPE	NaCl SALT	NaCl SALT	NaCl SALT
REGENERATING AGENT CONSUMPTION	1.0 kg/cycle	1.2 kg/cycle	1.8 kg/cycle
DIMENSIONS ØxH (mm)	300 x 470 x 660	300 x 470 x 815	300 x 470 x 1070
SALT TANK DIMENSIONS L x P x H (mm)	integrated	integrated	integrated
CAPACITY LITRES (SALT)	about 20	about 30	about 40
CONNECTIONS	1"	1"	1"

# DETERGENTS

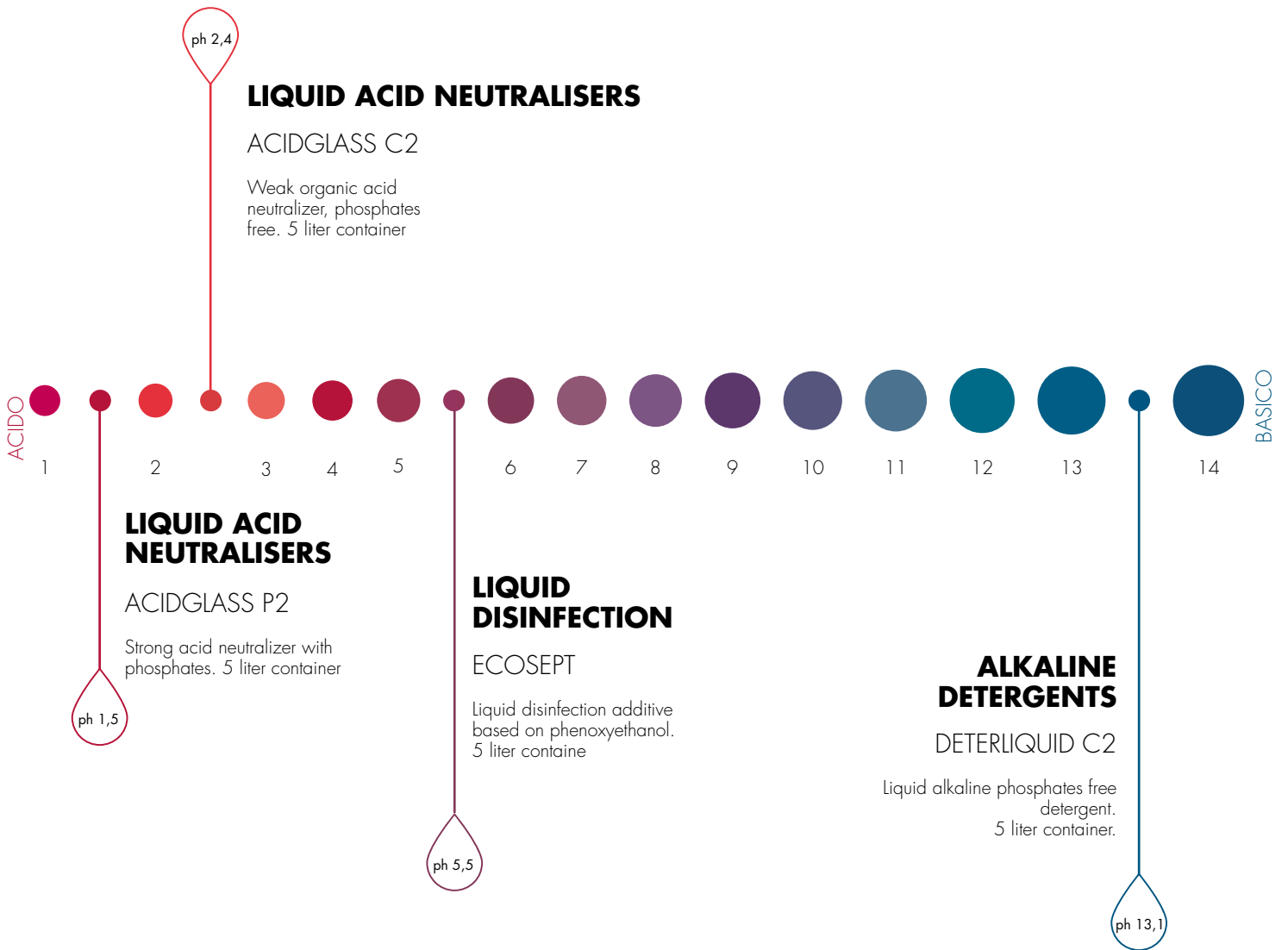
---

The use of specific detergents is essential to obtain accurate instrument washing. Smeg has a full range which are specially designed for instrumentation. Alkaline and enzymatic detergents should be used in the washing

phase as well as neutralizing acids in the neutralization phase. Smeg also recommends a disinfectant dedicated to the treatment of thermoplastic instrumentation and anesthesia tools to help the thermo-chemical process.







## SYMBOLS

---

In the sterilisation and sub-sterilisation rooms, washing and thermo-disinfection are today considered a fundamental step in the sterilization process. The use of professional washer

is essential, especially in the treatment of OP-shoes, the lactarium, for washing and sanitizing bottles and teats, and infectious disease centers. The Smeg washer disin-

factors are versatile and flexible to suit all customer washing needs.



### BABY BOTTLES WASHER DISINFECTOR

The new Washer Disinfector models include specific programs for the treatment of baby bottles and teats used in neonatology departments to ensure complete elimination of possible sources of infection.



### WASHER DISINFECTOR FOR INSTRUMENTS

The cleaning and thermal disinfection of operating room instrumentation is the necessary prerequisite for complete sterilization. From irons for orthopedics and general surgery up to the most delicate sets for minimally invasive surgery, laparoscopy and ophthalmology.



### WASHING DISINFECTOR FOR OP SHOES

Thanks to special supports, Smeg's new generation washer-disinfectors are a professional solution for the accurate and systematic treatment of heat-resistant op-shoes of medical and paramedical personnel.



Maximum number of CSKDIN basket inside the chamber



Maximum number of CSKDIN basket inside the chamber



### WASHER DISINFECTORS FOR DISHWASHERS

Through the control and proper disinfection of dishes used to serve meals, any cross-infection can be eliminated, especially in environments such as addiction treatment service, infectious disease and private-to-beep wards. For this reason, a handheld instrument becomes the correct washing solution.



### BUILT-IN

Washer disinfector which can be installed built-in for the best use of the space



### FREE-STANDING

Washer disinfectors can be installed free-standing. We suggest to buy also, in this case, the base for a much more ergonomic job.

## MACHINE TECHNICAL FEATURES BASIC LINE

	WD2145	WD1160	WD4060	WD4190
INTERNAL DIMENSIONS (LXDXH MM)	380x480x590	520x515x545	520x515x545	520x515x545
EXTERNAL DIMENSIONS (LXDXH MM)	450x620x850 (830 with built-in top)	600x605x850 (830 with built-in top)	600x605x850 (830 with built-in top)	900x605x850 (830 with built-in top)
STANDARD PROGRAMMES STORED	9	9	9	9
MODIFIABLE PROGRAMS	6	6	6	6
DETERGENT DOSING SYSTEM	peristaltic pumps	peristaltic pumps	peristaltic pumps	peristaltic pumps
NEUTRALIZING DOSING PUMP TYPE	peristaltic pumps	peristaltic pumps	peristaltic pumps	peristaltic pumps
MAX NR. OF DOSING PUMPS	2	3	3	3
VOLUMETRIC DETERGENT CONTROL	n.a.	yes	yes	yes
DETERGENT CABINET	n.a.	n.a.	n.a.	yes
DISPLAY	with segments and warning light			
CONTROL PANEL	membrane keyboard			
PRINTER	optional	optional	optional	optional
BOILER	n.a.	n.a.	n.a.	n.a.
DRYING SYSTEM	thermodynamic	thermodynamic	forced hot air through "drying system"	forced hot air through "drying system"
PRE-FILTER CLASS C	n.a.	n.a.	yes	yes
HEPA FILTER CLASS S 99,999%	n.a.	n.a.	yes	yes
COLD WATER SUPPLY	yes	yes	yes	yes
HOT WATER SUPPLY	no	no	no	no
DEMINERALIZED WATER SUPPLY	no	yes	yes	yes
INTEGRATED WATER SOFTENER	yes	yes	yes	yes
WASHING PUMP	200l/min	400l/min	400l/min	400l/min
CONDUCTIVITY CONTROL	n.a.	n.a.	n.a.	n.a.
DOOR INTERLOCK	yes	yes	yes	yes
NET WEIGHT (KG)	61	74	77	83
CONFORMITY	2006/95/CEE, 93/68/CEE, 2004/108/CEE			
SUPPLY/MAX POWER	1/N/PE/230V- 50Hz-2,8kW	1/N/PE/230V- 50Hz-2,8kW As an alternative: 3/N/PE/400V- 50Hz-7,0kW	1/N/PE/230V- 50Hz- 2,8kW As an alternative: 3/N/PE/400V- 50Hz- 7,0kW	1/N/PE/230V- 50Hz- 2,8kW As an alternative: 3/N/PE/400V- 50Hz- 7,0kW
POSSIBILITY OF 60HZ SUPPLY	yes	yes	yes	yes
EQUIPPED WITH PLUG	yes	no	no	no

MACHINE TECHNICAL FEATURES **PROFESSIONAL LINE**

	WD3060	WD5090T	WD7000
INTERNAL DIMENSIONS (LXDXH MM)	520x515x545	520x515x545	671x815x639
EXTERNAL DIMENSIONS (LXDXH MM)	600x640x850 (830 with built-in top)	900x640x850 (830 with built-in top)	1150x995x2000
STANDARD PROGRAMMES STORED	20	20	20
MODIFIABLE PROGRAMS	10 (expandable to 50)	10 (expandable to 50)	20 (expandable to 50)
DETERGENT DOSING SYSTEM	peristaltic pumps	peristaltic pumps	peristaltic pumps
NEUTRALIZING DOSING PUMP TYPE	peristaltic pumps	peristaltic pumps	peristaltic pumps
MAX NR. OF DOSING PUMPS	4	5	5
VOLUMETRIC DETERGENT CONTROL	optional	optional	optional
DETERGENT CABINET	n.a.	yes	yes
DISPLAY	Backlit graphic LCD display 128x64 pixel	Backlit graphic LCD display 128x64 pixel	5.7 inches touch screen
CONTROL PANEL	Membrane keyboard	Membrane keyboard	touch screen (clean side) button (uncleaned side)
PRINTER	optional	optional	optional
BOILER	n.a.	optional	demi water standard tap water optional
DRYING SYSTEM	Thermodynamic	Forced hot air through "drying system"	2 motors for hot air through "drying system"
PRE-FILTER CLASS C	n.a.	yes	yes
HEPA FILTER CLASS S 99,999%	n.a.	yes	yes
COLD WATER SUPPLY	yes	yes	yes
HOT WATER SUPPLY	yes	yes	yes
DEMINERALIZED WATER SUPPLY	yes	yes	yes
INTEGRATED WATER SOFTENER	yes	yes	optional (externally)
WASHING PUMP	400l/min	400l/min	2x400l/min
CONDUCTIVITY CONTROL	optional	optional	optional
DOOR INTERLOCK	yes	yes	yes
NET WEIGHT (KG)	76	83	680
CONFORMITY	2006/95/CEE, 93/68/CEE, 2004/108/CEE		
SUPPLY/MAX POWER	1/N/PE/230V- 50Hz- 2,8kW	1/N/PE/230V- 50Hz- 2,8kW As an alternative: 3/N/PE/400V- 50Hz- 7,0kW	3/N/PE/400V- 50Hz- 22,0kW
POSSIBILITY OF 60HZ SUPPLY	yes	yes	yes
EQUIPPED WITH PLUG	no	no	no







Smeg S.p.A.  
Via Leonardo da Vinci, 4  
42016, Guastalla (RE), Italia  
[instruments@smeg.it](mailto:instruments@smeg.it)  
[www.smeg-instruments.com](http://www.smeg-instruments.com)