



Cytoculture®

Esco Cytoculture Cytotoxic Safety Cabinet  
Model CYT-4A\_

**Cytotoxic Safety Cabinet**  
*The Premium Solution for Cytotoxic Drug Processing*

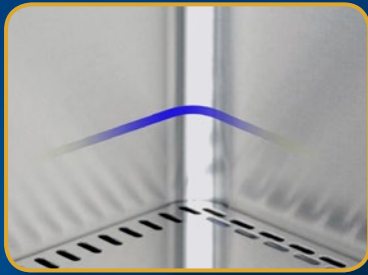


	General Requirements	Air Quality	Filtration	Electrical Safety
Standards Compliance	EN 12469, Europe	ISO 14644.1, Class 3, Worldwide IEST-G-CC1001, Worldwide IEST-G-CC1002, Worldwide	EN-1822 (H14), Europe IEST-RP-CC001.3, USA IEST-RP-CC007.1, USA IEST-RP-CC034.1, USA	UL-C-61010A-1, USA CSA C22.2, No.1010-92, Canada EN-61010-1, Europe IEC61010-1, International



## Sentinel™ Silver Microprocessor Controller

- Displays all safety information on one screen
- Centered and angled down for easy reach and viewing



### Curved Corner

- Large corner radius for easy cleaning
- Stainless steel 304 interior walls (with available option for SS 316)



### Multi-piece Work Tray

- Easy to lift and clean
- Stainless steel 304 work trays (with available option for SS 316)
- Customization to single-piece work tray is possible, please contact Esco



### Raised Arm Rest

- Helps prevent grills blocking
- Comfortable working posture



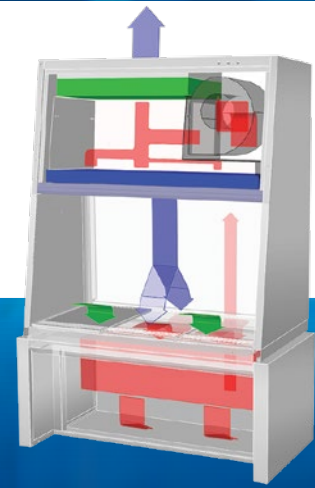
## Standard stand comes with casters and leveling feet

- Casters for easier moving/transfer of cabinet
- Leveling feet allows height adjustment in cases of uneven floors

Available in 1.2 m and 1.8 m width (4' and 6' models)

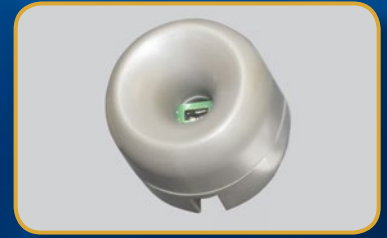
## Tri-filter System

- Equipped with 1 supply downflow filter and 2 exhaust filters
- Dual long life ULPA filters (as per IEST-RP-CC001.3 or H14 as per EN 12469) for supply and exhaust filters
- V-bank design HEPA filter for below work zone exhaust filter



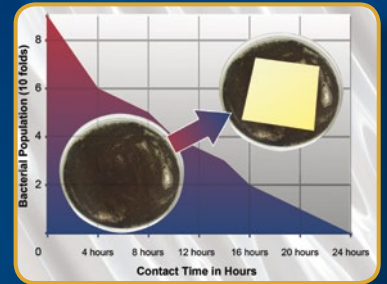
## Airflow Sensor

- Monitors real-time airflow for safety
- Alert the user if airflow is insufficient
- High-end Accusense sensor made by Degree C



## ISOCIDE™ Powder Coat

- Silver-ion impregnated powder coat
- Inhibit microbial growth to improve safety



3

## Motorized Sash

- Easier closing and opening of sash, just by pressing the button help simplify use of the cabinet



## Exhaust HEPA filter

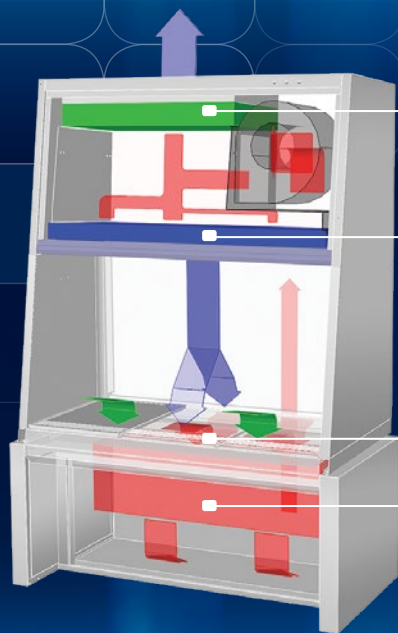
- With additional V-bank HEPA filter below work zone



**ESCO**

WORLD CLASS. WORLDWIDE.

## Cytoculture® Cytotoxic Safety Cabinet Airflow



- Exhaust ULPA filter
- Supply ULPA filter
- Dynamic air barrier, inflow and forward directed downflow air converge
- Secondary exhaust HEPA filter

- ULPA-filtered air
- Unfiltered / potentially contaminated air
- Room air / Inflow air

- Air enters the cabinet through perforations located along the front of the work zone before mixing with used downflow air in a common chamber below the work zone (this inflow air does not mix with the filtered downflow air in the cabinet's main chamber). The mixed air then passes through the HEPA filter located beneath the work zone.
- The HEPA filtered air then passes through internal ducting in the back wall of the cabinet to a common air plenum where 35% is exhausted through the ULPA

exhaust filter and 65% is forced evenly through the ULPA supply filter. This sterilized air then passes through the main chamber as downflow air, flushing all contaminants from the work zone.

- At the work surface the downflow airstream splits and enters the common air chamber beneath the work zone through perforations located at the front and back of the main chamber, from where the cycle is repeated.

Touchpad data entry buttons permit control settings and access to diagnostics, default settings and hierarchical menus.

Color coded indicator lamps display green for primary function (fan operation); blue for secondary function (fluorescent lights and electrical outlet); and orange for caution (UV lamp ON).

Programmable automatic UV light timer simplifies operation, enhances contamination control, extends UV lamp life and saves energy.

A graphical interface indicates cabinet performance.

Digital read-out with alpha-numeric display indicates all input, status and alarm functions.

All functions can be user activated through touch-pad programming access; see Operations Manual.



Sentinel™ Silver Microprocessor Control System, Programmable

- When programmed ON

- the start-up sequence confirms status with Air Safe and local time display.
- the Personal Identification Number (PIN) access restricts unauthorized adjustments.
- an airflow alarm warns of deviations from normal velocities.

4

## Accessories for Cytoculture® Cytotoxic Safety Cabinets

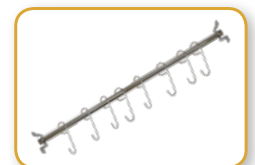
Model		CYT-4A	CYT-6A
Exhaust Ducting	Anti-blowback Valve	ABBV-10P	5170352
	Manual Volumetric Exhaust Damper	B2-Damper	5170104
	Thimble Exhaust Collar (10 inches diameter)	ECO-LA24-Mk3-LH 5170099	ECO-LA26-Mk3-LH 5170102
Work Zone	UV Lamp	UV-30A	5170255
	IV Bar	IV-1260 5170277	IV-1870 5170279
Electrical Outlet	Direct Mounted Electrical Outlet - Plug Code	EO-H	
Service Fixtures	EU SF - Gas - 40 mm	SF-1G40	5170002
	EU SF - Vacuum - 40 mm	SF-1V40	5170003
	EU SF - Nitrogen - 40 mm	SF-1N40	5170011
	EU SF - Air - 40 mm	SF-1A40	5170006
	EU SF - Water - 40 mm	SF-1W40	5170017
	American Style Service Fixture - Universal - 40 mm	SF-2U40	5170018
	Copper Piping for Service Fixture (Must be Factory Installed)	CU-Pipe	5170026
Carbon Filter Options	CYT-001 5080008	CYT-002 5080009	
Misc	Solenoid Valve Fitting	SL-Valve	5070086
	IQ/OQ Protocol	9010179	



ABBV-10P



B2-DAMPER



IV-



SF-1\_

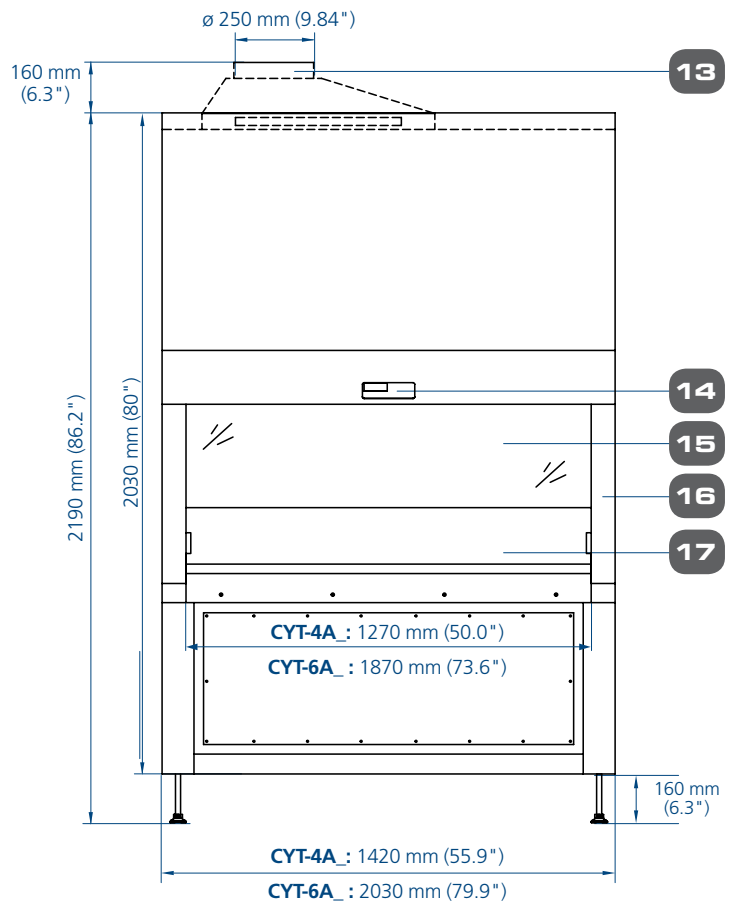
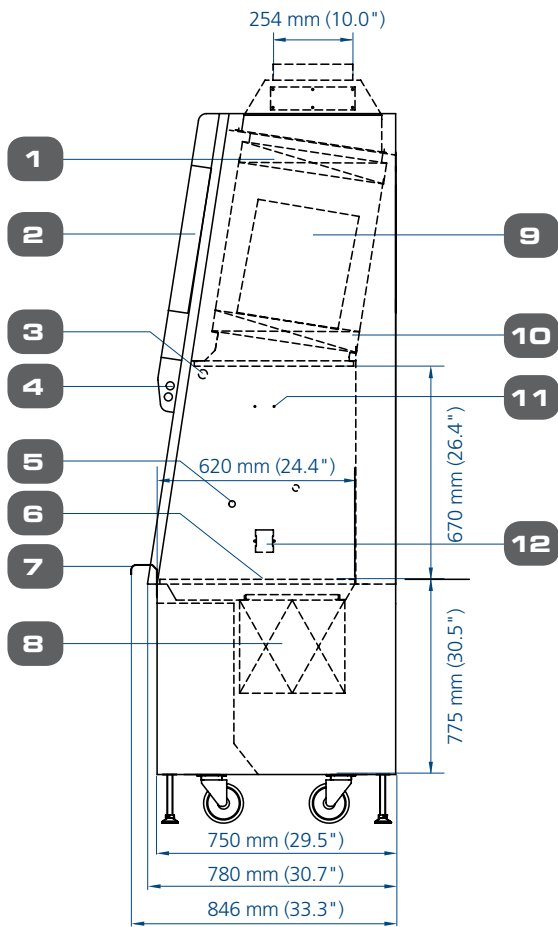
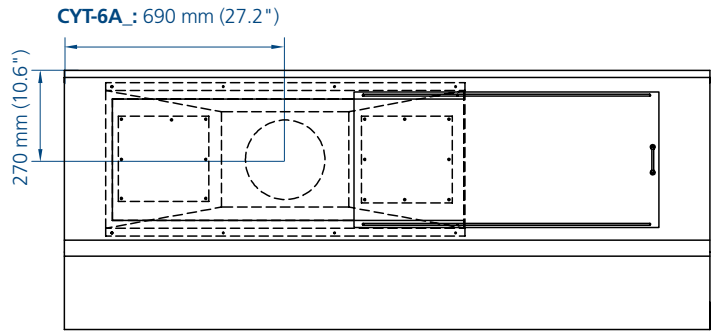
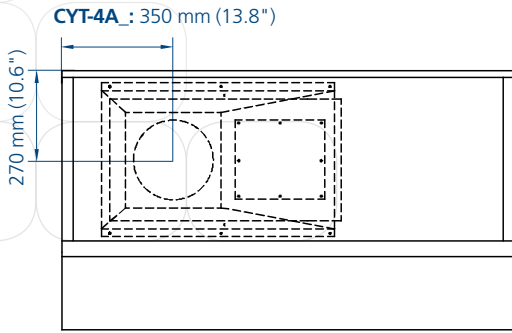
Note: For other customizations and accessories, please contact Esco.

Cytoculture®

Esco Specialty Products • Cytotoxic Safety Cabinets



# Model CYT Cytotoxic Safety Cabinet Engineering Drawing



5

1. Exhaust ULPA filter
2. Electrical Panel
3. UV Lamp Retrofit Kit Provision
4. Fluorescent lamp
5. Service Fixture Retrofit Kit provision
6. Stainless steel multi-piece work tray
7. Stainless Steel Arm Rest

8. Exhaust V-bank HEPA filter
9. DC ECM Blower
10. Downflow ULPA Filter
11. IV Bar Retrofit VKit Provision
12. Electrical Outlet Retrofit Kit Provision (two on each side)
13. Exhaust Collar (Optional)

14. Esco Sentinel™ Silver Microprocessor Controller
15. Motorized Sash Window
16. Removable Side Panel
17. Single-piece stainless steel back wall and side walls

## General Specifications, Cytotoxic Safety Cabinets

*Note to customer: Insert electrical voltage number into last model number digit \_ when ordering*

Cytoculture® Cytotoxic Safety Cabinet		CYT-4A_	CYT-6A_
<b>Nominal Size</b>		1.2 meters (4')	1.8 meters (6')
<b>External Dimensions (W x D x H)</b>		1420 x 846 x 2190 mm (55.9" x 33.3" x 86.2")	2030 x 846 x 2190 mm (79.9" x 33.3" x 86.2")
<b>Internal Work Area Dimensions (W x D x H)</b>		1270 x 620 x 670 mm (50.0" x 24.4" x 26.4")	1870 x 620 x 670 mm (73.6" x 24.4" x 26.4")
<b>Usable Work Area</b>		0.60 m <sup>2</sup> (6.4 sq.ft.)	0.90 m <sup>2</sup> (9.7 sq.ft.)
<b>Tested Opening</b>		203 mm (8.0")	203 mm (8.0")
<b>Maximum Sash Opening</b>		440 mm	440 mm
<b>Average Airflow Velocity</b>	Inflow	0.45 m/s (90 fpm)	
	Downflow	0.30 m/s (60 fpm)	
<b>Exhaust Volume with Ducting</b>	Inflow	0.45 m/s (90 fpm)	
	Downflow	0.30 m/s (60 fpm)	
	CBV Exhaust Volume	611 m <sup>3</sup> / h (360 cfm)	931 m <sup>3</sup> / h (548 cfm)
	Static Pressure at CBV Exhaust Volume	39 Pa / 0.15 in H <sub>2</sub> O	63 Pa / 0.25 in H <sub>2</sub> O
<b>ULPA Filter Typical Efficiency</b>	Downflow	>99.9995% for particle size at 0.3 µm as per IEST-RP-CC001.3 USA	
	Exhaust	99.999% for particle size at 0.1 to 0.2 µm as per IEST-RP-CC001.3 USA	
<b>HEPA V-bank Filter Typical Efficiency</b>	Exhaust	99.999% at 0.3 µm as per IEST-RP-CC001.3 USA	
<b>Sound Emission per EN 12469*</b>		61 dBA	63 dBA
<b>Fluorescent Lamp Intensity at Zero ambient</b>		>1300 Lux (>121 foot candles)	>1000 Lux (>93 foot candles)
<b>Cabinet Construction</b>	External	1.5 mm (0.06") 16 gauge electrogalvanized steel with Isocide white oven-baked epoxy powder-coating	
	Internal	Stainless steel Type 304 with No.4 finish, 1.5 mm (0.06") / 16 gauge thick	
<b>Electrical**</b>	<b>220-240V, AC, 50 Hz, 1Ø</b>	<b>CYT-4A1</b>	<b>CYT-6A1</b>
	Cabinet Full Load Amps (FLA)	8A	9A
	Optional Outlets FLA	5A	5A
	Cabinet Nominal Power	429W	568W
	Cabinet BTU	1464 BTU/hr	1938 BTU/hr
	<b>110-120V, AC, 60 Hz, 1Ø</b>	<b>CYT-4A2</b>	<b>CYT-6A2</b>
	Cabinet Full Load Amps (FLA)	11A	11.5A
	Optional Outlets FLA	5A	5A
	Cabinet Nominal Power	653W	793W
	Cabinet BTU	2228 BTU/hr	2706 BTU/hr
	<b>220-240V, AC, 60 Hz, 1Ø</b>	<b>CYT-4A3</b>	<b>CYT-6A3</b>
	Cabinet Full Load Amps (FLA)	9A	9.5A
	Optional Outlets FLA	5A	5A
	Cabinet Nominal Power	549W	778W
	Cabinet BTU	1873 BTU/hr	2655 BTU/hr
	<b>Net Weight</b>		383 kg (844 lbs)
<b>Shipping Weight</b>		415 kg (915 lbs)	578 kg (1274 lbs)
<b>Shipping Dimensions, Maximum (W x D x H)</b>		1560 x 930 x 2230 mm (61.4" x 36.6" x 87.8")	2170 x 930 x 2230 mm (85.4" x 36.6" x 87.8")
<b>Shipping Volume, Maximum</b>		3.26 m <sup>3</sup> (115 ft <sup>3</sup> )	4.49 m <sup>3</sup> (158.6 ft <sup>3</sup> )

\* Noise as measured in open field / anechoic chamber.

\*\* Additional voltages may be available; contact Esco for ordering information.

## After Sales Services

### Parts Availability

Whenever service is needed and parts are required, minimizing downtime is a critical objective. Statistical usage analysis helps Esco to predict parts life, permitting Esco to manage logistics and stage proper inventories around the world. The combination of predictive maintenance, historical data and geospecific proximity assures our customers that parts and labor are available whenever service is scheduled through the local sales organization.

### Registration, Documentation and Instruction

Quality control at Esco extends from research and development through engineering, manufacturing, shipment, delivery and customer feedback. Esco maintains an aggressive program to encourage warranty card registration by mail, email or online submission so that we know where Esco products are located and how they are being used. Rest assured that all information disclosed from warranty registrations will be kept confidential. All Esco products include unique serial numbers for identification. Documentation for all performance tests is archived and maintained for customer reference with all the back up procedures.

### Online Technical Information

Site preparation instructions are useful before product arrival and installation. Installation and start-up manuals, operation manuals and quick reference guides are available anytime from the Esco resources online.

### NSF International Accreditations and TÜV Nord Certification

The National Sanitation Foundation (NSF) International is an independent, non-profit organization that provides standards development, product certification, auditing, education and risk management for public health and the environment.

The NSF mark is your assurance that the product complies with all the standard requirements, tested by one of the most respected independent certification organizations in existence today. NSF conducts periodic unannounced inspections and product testing to verify that the product continues to comply with the standard. It is valued by consumers, manufacturers, retailers and regulatory agencies worldwide.

TÜV NORD GS certification has been helping to minimise risks and hence ensure maximum safety and quality. TÜV NORD's recognised certifications stand worldwide for an exemplary level of safety and make a valuable contribution to the continuing improvement of products and processes.

Esco's passed the stringent requirements during testing and inspection and has given as the TÜV NORD approval mark which confirms compliance of the product with the provisions of the Product and Equipment Safety Act as regards health and safety.

In line with Esco's commitment in providing world class services worldwide, Esco as a manufacturer feels the impact of providing the best after-sales service through our competent service engineers. Thus, Esco is the only manufacturer in the world with the most number of NSF accredited certifiers across the globe. In addition, Esco enhances the capacity to the highest quality of service by providing TÜV NORD GS certified service engineers with expertise to ensure timely preventive and corrective maintenance of the laboratory equipment. These accreditations make Esco not only an **Excellent Standards COmpany** but also an **Excellent Service COmpany**, which exemplifies Esco's collective quest of being an **Eternally Successful COmpany**.

### References and Links

For more information, you can visit Esco at [www.escoglobal.com](http://www.escoglobal.com)

## Customized to Meet Your Specific Needs

Esco CYT cabinets can be configured to meet unique needs including:

- Lead shielding for nuclear medicine applications.
- An optional carbon filter impregnated with KI (potassium iodide) in place of the additional HEPA filter (this configuration does not protect service technicians when changing contaminated filters).

## Comprehensive Performance Testing At Esco

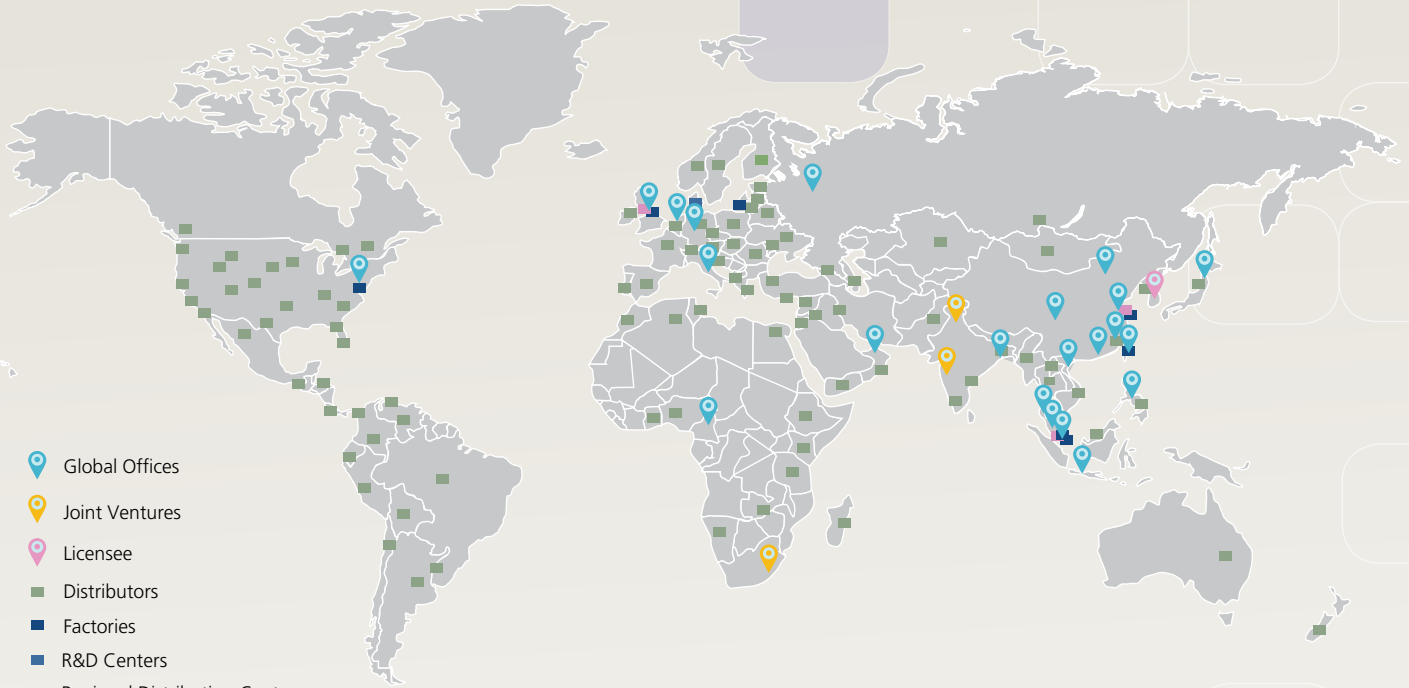


Every Cytoculture™ CYT model manufactured by Esco is individually tested, documented by serial number and validated with the following test methods.

- Inflow / downflow velocity
- PAO aerosol challenge for filter integrity
- Airflow pattern visualization
- Electrical safety to IEC61010-1
- Additional KI-Discus containment and microbiological testing is performed on statistical sampling basis.

# ESCO GLOBAL NETWORK

43 LOCATIONS IN 24 COUNTRIES ALL OVER THE WORLD



- Global Offices
- Joint Ventures
- Licensee
- Distributors
- Factories
- R&D Centers
- Regional Distribution Centers



- ART Equipment
- Biological Safety Cabinets
- CO<sub>2</sub> Incubators
- Compounding Pharmacy Equipment
- Containment / Pharma Products
- Ductless Fume Hoods
- Lab Animal Research Products
- Laboratory Centrifuges
- Laboratory Fume Hoods
- Laboratory Ovens and Incubators
- Laboratory Shakers
- Laminar Flow Clean Benches
- PCR Cabinets
- PCR Thermal Cyclers
- Powder Weighing Balance Enclosures
- Ultra-low Temperature Freezers

The Esco Group of Companies is a global life sciences tools provider with sales in over 100 countries. The group is active in lab equipment, pharma equipment and medical devices. Manufacturing facilities are located in Asia and Europe. R&D is conducted worldwide spanning the US, Europe and Asia. Sales, service and marketing subsidiaries are located in 12 major markets including the US, UK, Singapore, Japan, China and India. Regional distribution centers are located in the US, UK, and Singapore.

Life Science • Chemical Research • Assisted Reproductive Technology (ART) • Pharmaceutical Equipment • General Equipment



WORLD CLASS. WORLDWIDE.

Esco Micro Pte. Ltd. • 21 Changi South Street 1 • Singapore 486 777  
 Tel +65 6542 0833 • Fax +65 6542 6920 • mail@escoglobal.com  
 www.escoglobal.com

Esco Technologies, Inc. • 903 Sheehy Drive, Suite F, Horsham, PA 19044, USA  
 Tel 215-441-9661 • Fax 484-698-7757  
 eti.admin@escoglobal.com • www.escolifesciences.us

Esco Global Offices: Bangladesh | Cameroon | China | Denmark | Germany | Hong Kong | India | Indonesia | Italy | Japan | Lithuania | Malaysia | Myanmar | Philippines | Russia | Singapore | South Africa | South Korea | Taiwan | Thailand | UAE | United Kingdom | USA | Vietnam



9010031\_Compounding\_Equipment\_CYT\_Brochure\_A4\_V0\_090519  
 Esco can accept no responsibility for possible errors in catalogues, brochures and other printed materials.  
 Esco reserves the right to alter its products and specifications without notice. All trademarks and logos types  
 in this material are the property of Esco and the respective companies.